

LIMIT SWITCH

Features

- High precision and metal die-casting body.
- Easy to wire connection construction
- High mechanical strength
- Dust-proof construction



Specifications

Item	Standard
Rating	10A, 125V or 250VAC
Contact Resistance	25mΩ max. (initial)
Insulation Resistance	100MΩ min. (at 500VDC)
Dielectric Strength	1,000VAC, 50/60Hz for 1 minute
Service Life Mechanically	1,000,000 operations min.
Service Life Electrically	100,000 operations min.

Product Selection

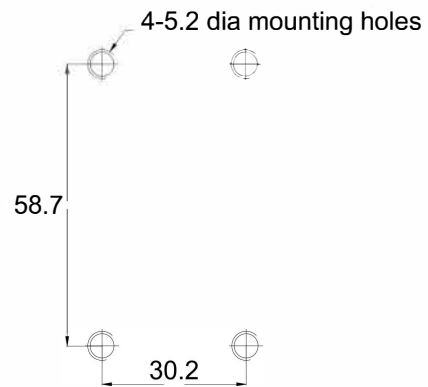
WL□

1

1. HEAD AND ACTUATOR

- 5101: Push plunger type
- 5102: Roller plunger type
- 5104: Roller arm type
- 5105: Double roller arm type
- 5106: Wobble stick type
- 5107: Rod lever type
- 5108: Adjustable roller arm type (standard roller)
- 5109: Push plunger type

Mounting Hole



Contact Configuration



LIMIT SWITCH

Operating Characteristics

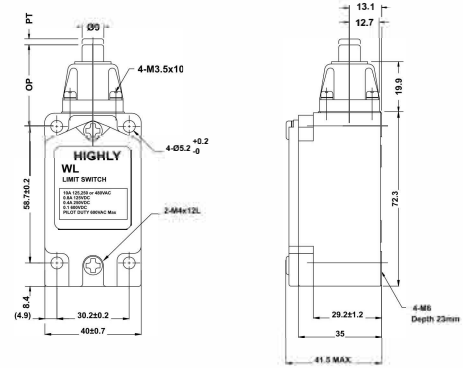
Unit: mm

Item	Operating Characteristics	Dimensions
------	---------------------------	------------

WL5101



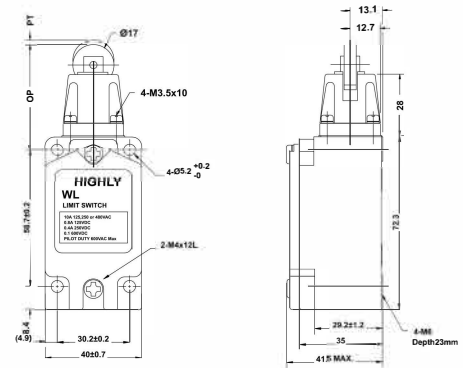
OF max.	2,720g
RF min.	910g
PT max.	1.7 mm
OT min.	6.4 mm
MD max.	1 mm
TF max.	--
TT/OP min.	34 ± 0.8 mm



WL5102



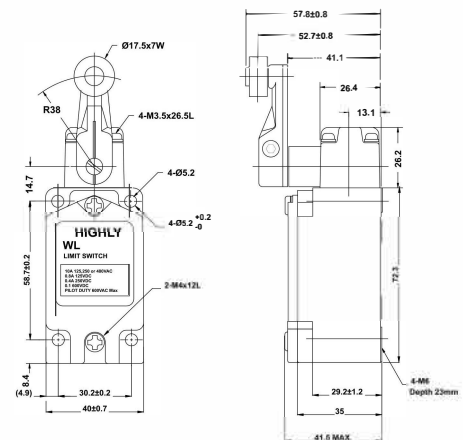
OF max.	2,720g
RF min.	910g
PT max.	1.7 mm
OT min.	5.6 mm
MD max.	1 mm
TF max.	--
TT/OP min.	44 ± 0.8 mm



WL5104



OF max.	1360g
RF min.	227g
PT max.	20°
OT min.	30°
MD max.	12°
TF max.	2,720g
TT/OP min.	50°



LIMIT SWITCH

Operating Characteristics

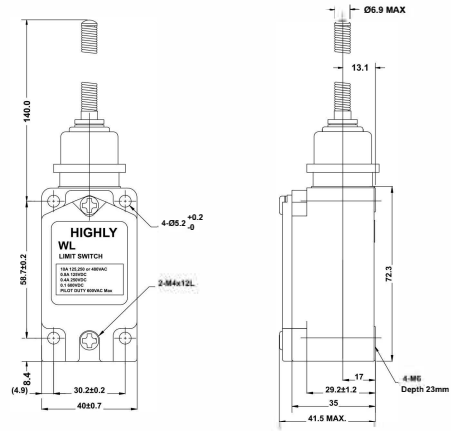
Unit: mm

Item	Operating Characteristics	Dimensions
------	---------------------------	------------

WL5106



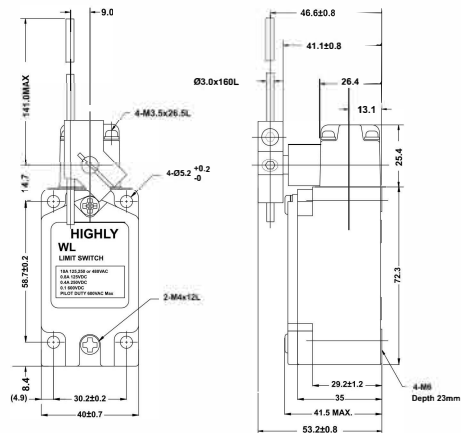
OF max.	150g
RF min.	--
PT max.	28 mm
OT min.	28 mm
MD max.	--
TF max.	--
TT/OP min.	--



WL5107



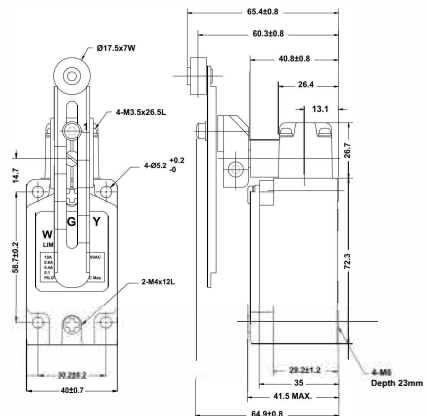
OF max.	1,360g
RF min.	227g
PT max.	22°
OT min.	30°
MD max.	12°
TF max.	2,720g
TT/OP min.	50° *



WL5108



OF max.	1360g
RF min.	227g
PT max.	20°
OT min.	30°
MD max.	12°
TF max.	2720g
TT/OP min.	50°

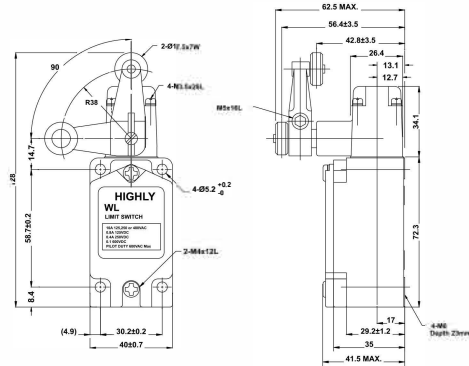


LIMIT SWITCH

WL5105



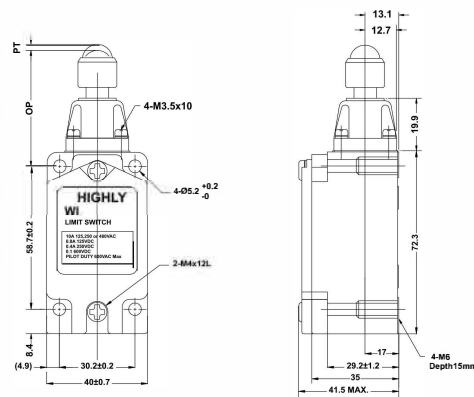
OF max.	1,200g
RF min.	--
PT max.	50° ±5°
OT min.	35°
MD max.	--
TF max.	--
TT/OP min.	90° ±10°



WL5109



OF max.	2,720g
RF min.	910g
PT max.	1.7 mm
OT min.	6.4 mm
MD max.	1 mm
TF max.	--
TT/OP min.	44 ± 0.8 mm



Overtravel type

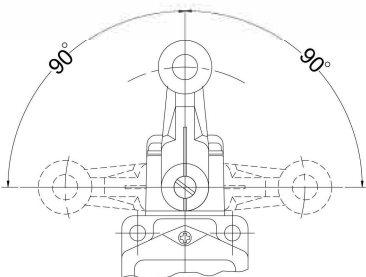
The overtravel type is a limit switch which is provided with a greater OT to facilitate dog setting. Since this type is identical to the Basic Type in dimensions, both types are interchangeable.

-2 Series

The head of -2 series switch can be installed in any of the four directions.

90° operation on only one side - impossible

90° operation on either side - possible



Operating Characteristics \ Type	WL 5104-2	WL 5108-2	WL 5107-2
OF (max.)	900gf	900gf	580gf
RF (min.)	50gf	50gf	97gf
PT (max.)	30°	30°	30°
OT (min.)	60°	60°	60°
MD (max.)	16°	16°	16°