

TS003 SERIES

LED TOUCH SENSOR SWITCH



Feature :

- Water proof IP67 sealed
- Panel mount
- Full color LED illuminated available

Application :

- Home appliances
- Kitchen appliances
- Communication equipments
- Vending machines and switches
- Used in polluted environment

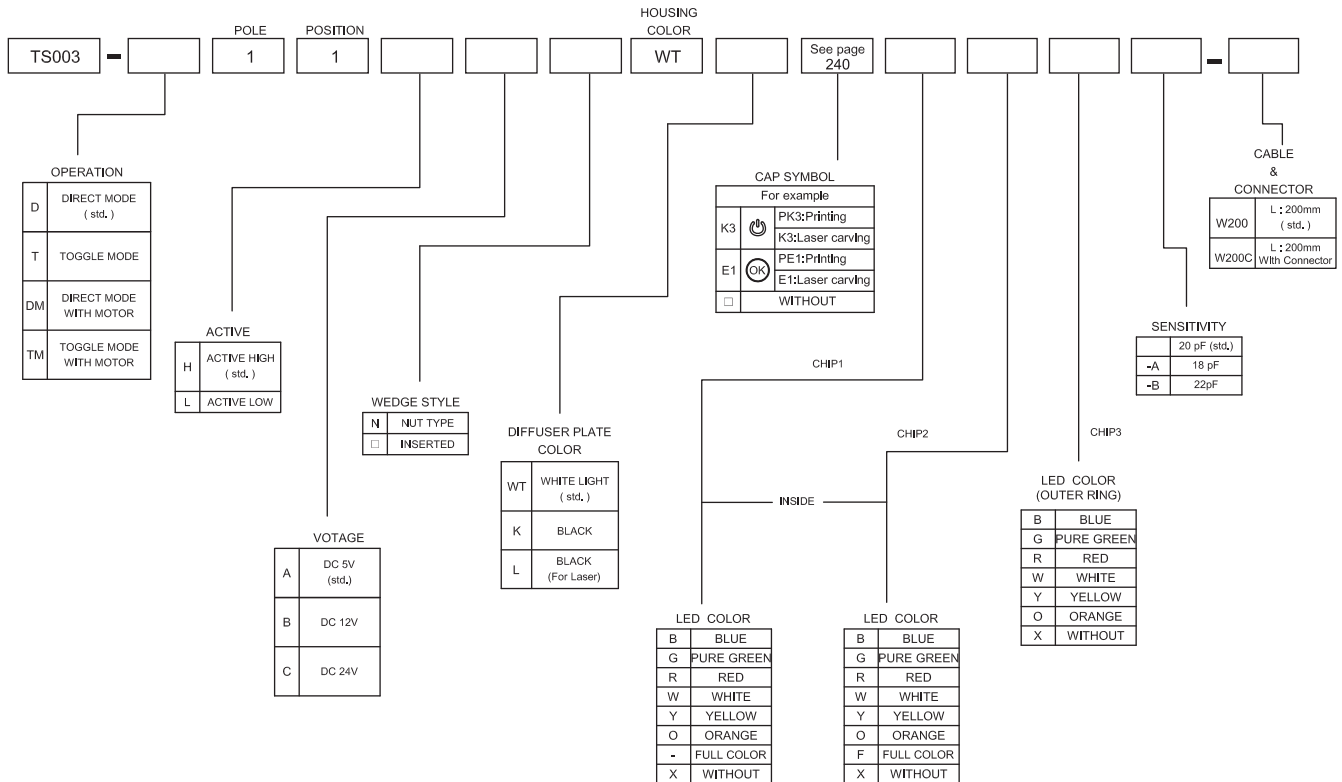


SWITCH SPECIFICATIONS						
POLE - POSITION	One-Channel					
CIRCUIT FEATURE	Capacitive digital signal					
OPERATING TEMPERATURE RANGE	-20°C ~ 70°C					
SEALING	IP67					
ELECTRICAL CHARACTERISTICS						
Symbol	Parameter	Conditions	MIN.	TYP.	MAX.	Units
V _{DD}	Operating voltage		1.8	3	5.5	V
F	System oscillator	V _{DD} = 3V	25		600	KHz
F _{SEN}	Sensor oscillator	V _{DD} =3V, Output no load		800		KHz
I _{OP}	Operating current	V _{CC} =3V, Output no load		1.5	2.7	uA
V _{IL}	Input ports	Input low voltage	0		0.2	V _{DD}
V _{IH}	Input ports	Input high voltage	0.8		1.0	V _{DD}
I _{OL}	Output port sink current	V _{DD} =3V, V _{OL} =0.6V		8		mA
I _{OH}	Output port source current	V _{DD} =3V, V _{OH} =2.4V		-4		mA
T _R	Output response time	V _{DD} =3V			150	mS

LED SPECIFICATIONS								
 ATTENTION LEDs are Electrostatic Sensitive devices (+) (-)	Unit	Value / LED Color						
		Blue	Pure Green	Red	Yellow	Orange	Green	White
LUMINOUS INTENSITY@20mA I _v	mcd	60	450	220	150	253	50	160
Dominant Wavelength λ _D	nm	465	525	630	590	601	570	/
FORWARD VOLTAGE@20mA V _f	V	3.3	3.3	1.95	2	2.1	2.1	3.3

■ A single bin cannot be ordered, please contact us in advance if you need a particular bin sorting before placing your order to clarify the lead time, MOQ and pricing

► HOW TO ORDER



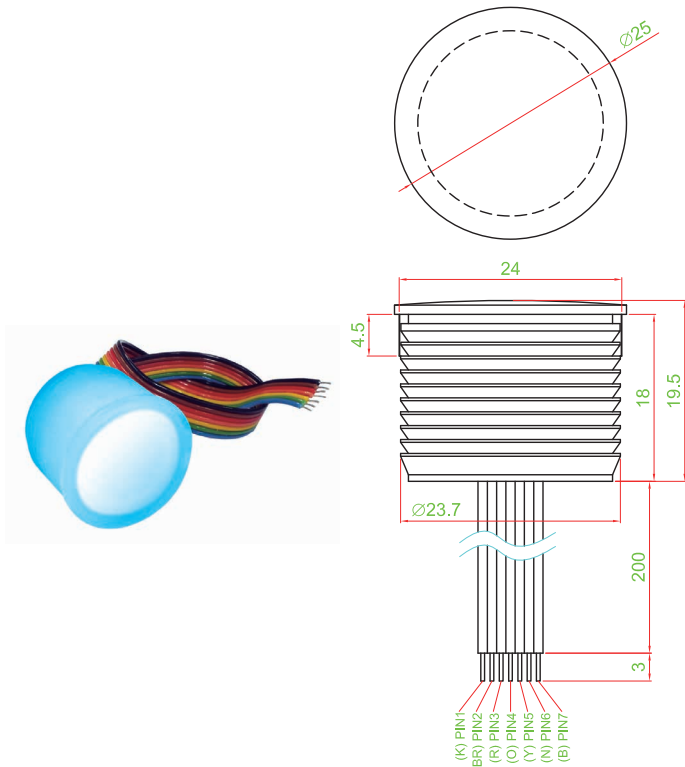
TS003 SERIES

LED TOUCH SENSOR SWITCH

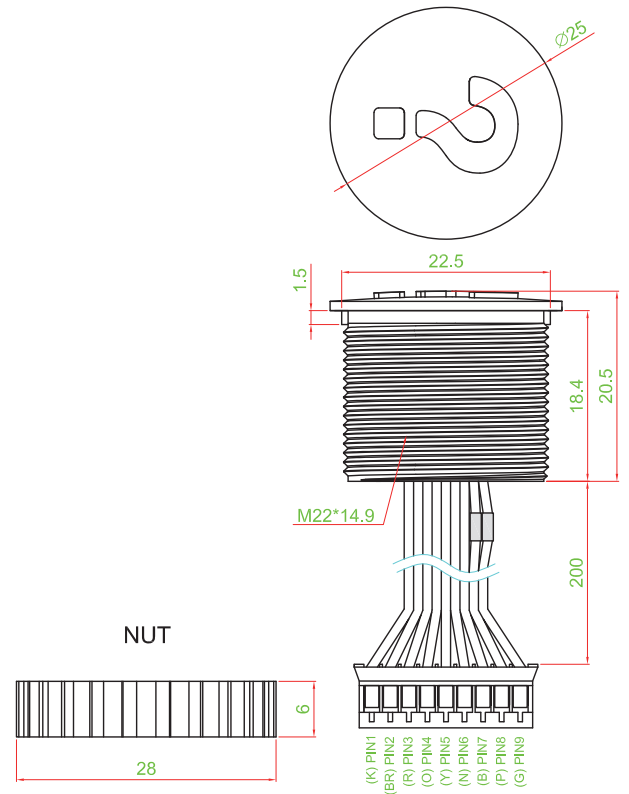


► DIMENSION

TS003 - D11HAWTWT□□□□-W200

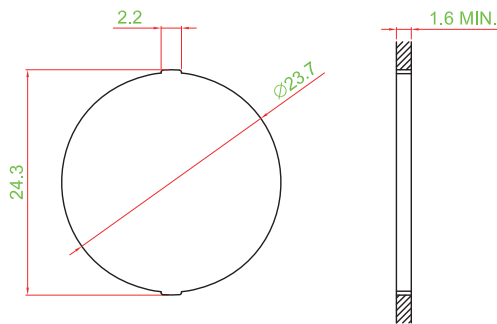


TS003 - DM11HBNWTWT□□□□-W200C

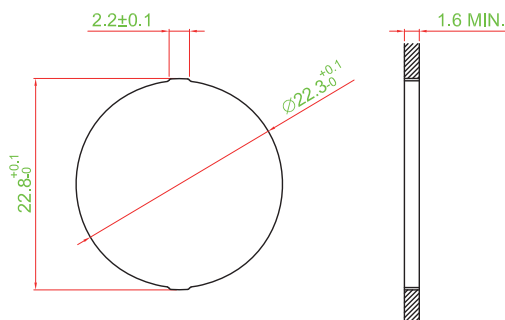


► PANEL CUT OUT

INSERT TYPE

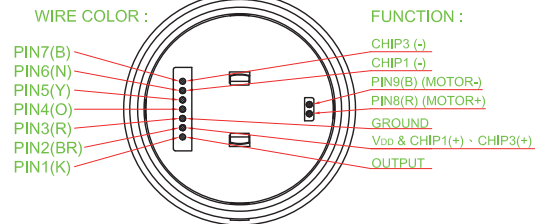


SCREW TYPE

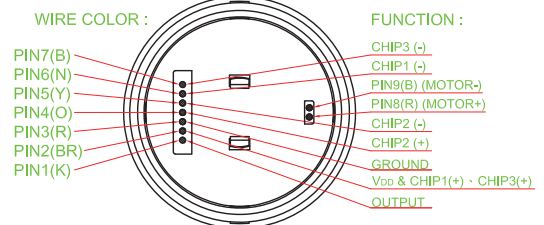


► CIRCUIT

SINGLE COLOR



TWO COLOR



FULL COLOR

