

TS001 SERIES

LED TOUCH SENSOR SWITCH




Feature :

- Water proof IP67 sealed
- Capacitive touch key, panel mount
- Wire assembly service
- Full color LED illuminated available
- Recommend operating voltage 1.8~5.5VDC

Application :

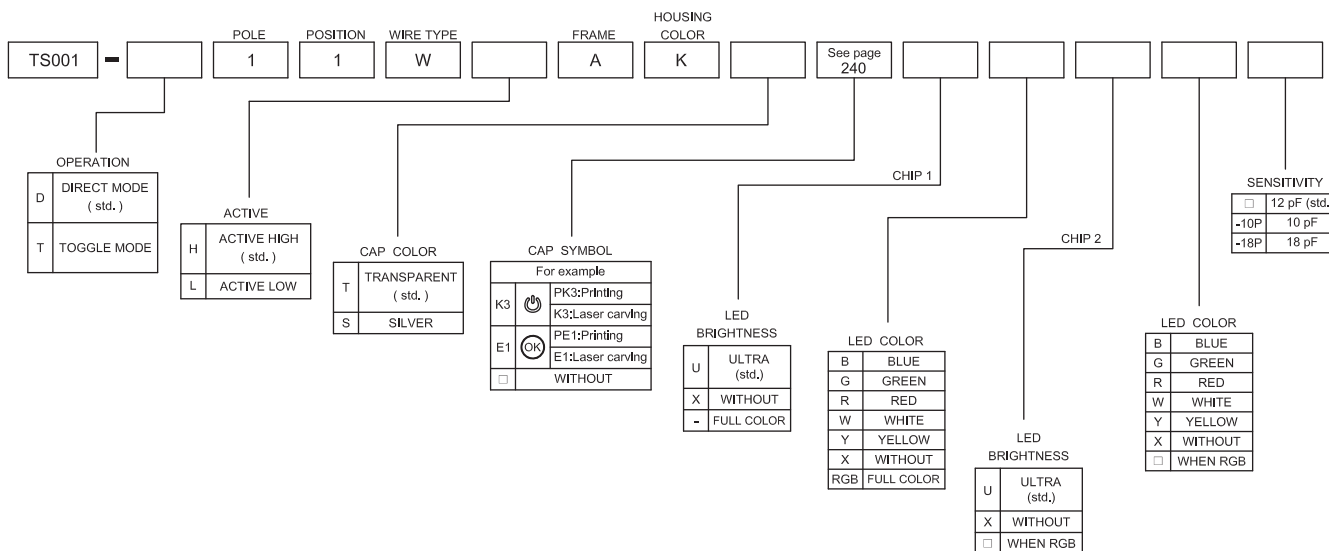
- Water purifiers
- Kitchen appliances
- Vending machines and switches
- Used in the polluted environment

SWITCH SPECIFICATIONS						
POLE - POSITION	One-Channel					
CIRCUIT FEATURE	Capacitive digital signal					
OPERATING TEMPERATURE RANGE	-20°C ~ 70°C					
SEALING	IP67					
ELECTRICAL CHARACTERISTICS						
Symbol	Parameter	Conditions	MIN.	TYP.	MAX.	Units
V _{DD}	Operating voltage		1.8	3	5.5	V
F	System oscillator	V _{DD} = 3V	25		600	KHz
F _{SEN}	Sensor oscillator	V _{DD} =3V, Output no load		800		KHz
I _{OP}	Operating current	V _{CC} =3V, Output no load		1.5	2.7	uA
V _{IL}	Input ports	Input low voltage	0		0.2	V _{DD}
V _{HI}	Input ports	Input high voltage	0.8		1.0	V _{DD}
I _{OL}	Output port sink current	V _{DD} =3V, V _{OL} =0.6V		8		mA
I _{OH}	Output port source current	V _{DD} =3V, V _{OH} =2.4V		-4		mA
T _R	Output response time	V _{DD} =3V			150	mS

LED SPECIFICATIONS								
ATTENTION LEDs are Electrostatic Sensitive devices  (+) (-)	Unit	Value / LED Color						
		Blue	Pure Green	Red	Yellow	Orange	Green	White
LUMINOUS INTENSITY@20mA I _v	mcd	60	450	220	150	253	50	160
Dominant Wavelength λ _D	nm	465	525	630	590	601	570	/
FORWARD VOLTAGE@20mA V _f	V	3.3	3.3	1.95	2	2.1	2.1	3.3

■ A single bin cannot be ordered, please contact us in advance if you need a particular bin sorting before placing your order to clarify the lead time, MOQ and pricing

▶ HOW TO ORDER



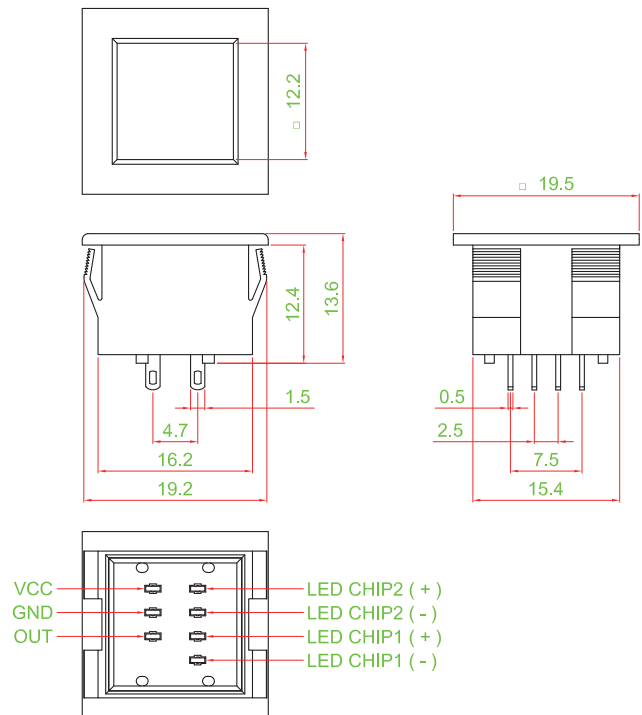
TS001 SERIES

LED TOUCH SENSOR SWITCH



► DIMENSION

TS001 - D11WHAKT□□□□

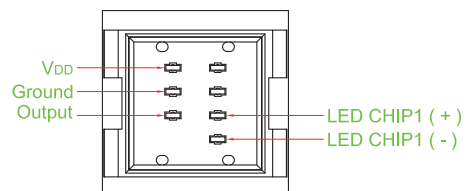


► PANEL CUT OUT

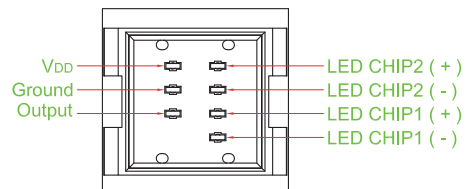
	PANEL THICK	W
	0.75 ~ 1.25	17.6 ~ 17.8
1.25 ~ 2.0	17.8 ~ 18.0	
2.0 ~ 3.0	18.0 ~ 18.2	

► CIRCUIT

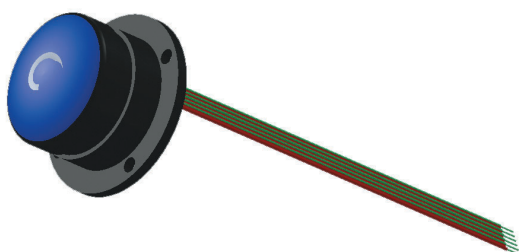
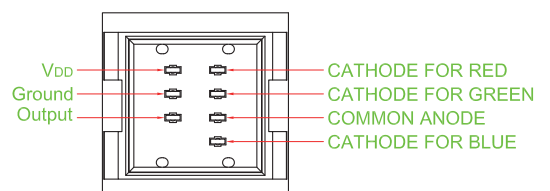
SINGLE COLOR



TWO COLOR



FULL COLOR



CUSTOM-MADE STYLE AVAILABLE