

TP615 Series

» Features

- Snap-in type, can be mounted directly on P.C.B board.
- Several LED colors options.
- Side-actuated with right angle terminal.
- Adequate for SMT.



» Applications

- Operating switches in all types of electronic equipment such as audio apparatus, office equipment, communications apparatus, TV sets, VCRs, etc.

» Specifications

Rating	50mA 12VDC
Insulation Resistance	100MΩ Min (at 500 VDC)
Dielectric Strength	AC 250V (50/60 Hz for 1 minute)
Contact Resistance	100mΩ Max. (Initial)
Operating	100,000 Cycles Min
Ambient Temperature	-25°C ~ +70°C
Operating Force	220 ± 50gf

» LED Specifications

Color	VR	IF	Recommended Operating Current	VF	
				Nor	Max
Red	DC 5V	20mA	20mA	1.7V	2.4V
Green	DC 5V	20mA	20mA	1.9V	2.4V
Yellow	DC 5V	20mA	20mA	1.9V	2.4V
Blue	DC 5V	20mA	20mA	3.0V	3.6V
White	DC 5V	20mA	20mA	3.0V	3.6V

» Product selection

For the specification about the other LEDs, please contact with sales department

TP 6151TRL -

FROM PCB TP CENTRAL TOP	
H5	4.0mm
H10	4.5mm

LED COLOR	
1	Red
2	Yellow
3	Green
4	Blue
5	White
6	Pure Green
8	Amber
9	Blue Green
10	Pink
011	Purple
12	Red/Yellow
13	Red/Green
14	Red/Blue
23	Yellow/Green
48	Blue/Amber
52	White/Yellow
58	White/Amber
-	Non-illuminated

LED BRIGHTNESS	
-	Standard
C	High Brightness

TP615 Series

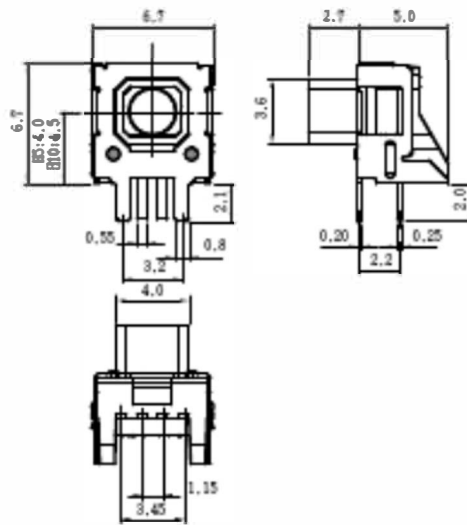
» Operating Characteristics

Unit: mm

Dimensions

P.C.B Layout

TP6151TRL



ELECTRICAL SCHEMATIC

