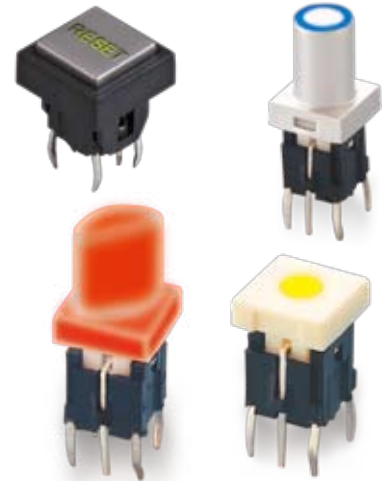


» **Features**

- Sharp "click" feeling with positive reliability feedback.
- Precise design terminal type adequate for DIP IC pitch size (multiple of 2.54mm).
- Several LED colors options.
- Adequate for DIP & SMT.
- Several cap legends options.

» **Applications**

- Operating switches in all types of electronic equipment such as audio apparatus, office equipment, communications apparatus, TV sets, VCRs, etc.



» **Specifications**

Rating	50mA 12VDC
Insulation Resistance	100MΩ Min (at 500 VDC)
Dielectric Strength	AC 250V (50/60 Hz for 1 minute)
Contact Resistance	100mΩ Max. (Initial)
Electrically Life	300,000 Cycles Min
Ambient Temperature	-20°C~ +70°C
Operating Force	160 ± 50gf
Travel	0.25 ± 0.1 mm

» **LED Specifications**

Color	VR	IF	Recommended Operating Current	VF	
				Nor	Max
Red	DC 5V	20mA	20mA	1.7V	2.4V
Green	DC 5V	20mA	20mA	1.9V	2.4V
Yellow	DC 5V	20mA	20mA	1.9V	2.4V
Blue	DC 5V	20mA	20mA	3.0V	3.6V
White	DC 5V	20mA	20mA	3.0V	3.6V

For the specification about the other LEDs, please contact with sales department

» **Product selection**

**PB 614**

<b>BUTTON TYPE</b>		<b>FUNCTION</b>		<b>LED BRIGHTNESS</b>		<b>LASER ETCHING</b>	
1F		Non-LED		-	Standard	01	
2F		-	Standard type	C	High Brightness	02	
3F		M	SMT type			03	
1		LED				04	
4		L	Standard type			05	
5		ML	SMT type			06	
6		<b>FRAME</b>				07	
8		-	Without			08	
9		F	With frame			09	
10						10	
11							
12							
13							
				<b>LED COLOR</b>		<b>LASER ETCHING COLOR</b>	
		1	Red	1	Misty Silver	2	Bright Silver
		2	Yellow	3	Gold	3	Gold
		3	Green	4	White	4	White
		4	Blue	5	Pure Green	5	Bright Black
		5	White	8	Amber	6	Red
		6	Pure Green	9	Blue Green	7	Misty Black
		8	Amber	10	Pink	8	Sky blue
		9	Blue Green	011	Purple	9	Gunmetal Black
		10	Pink	12	Red/Yellow	A	Orange
		011	Purple	13	Red/Green		
		12	Red/Yellow	14	Red/Blue		
		13	Red/Green	23	Yellow/Green		
		14	Red/Blue	48	Blue/Amber		
		23	Yellow/Green	52	White/Yellow		
		48	Blue/Amber	58	White/Amber		
		52	White/Yellow	-	Non-LED		
		58	White/Amber				
		-	Non-LED				

Please inquire about the details with our sales representative.

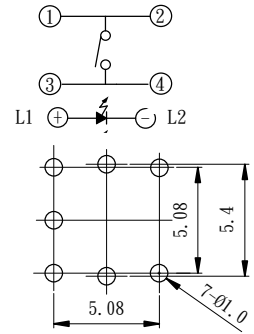
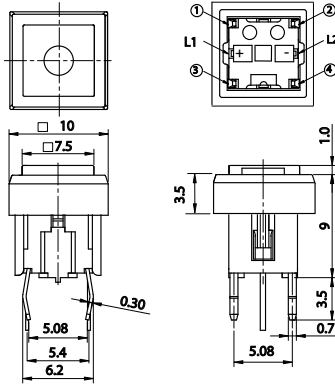
» Operating characteristics

Unit: mm

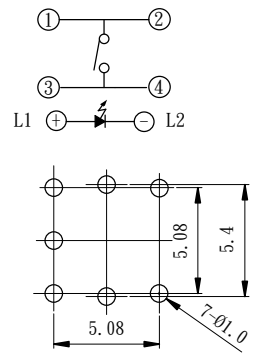
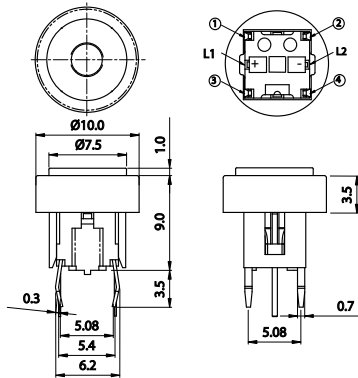
Dimensions

P.C.B Layout

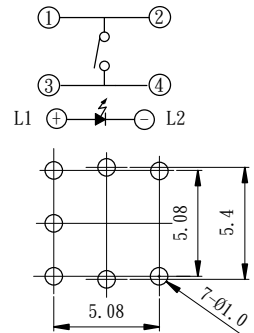
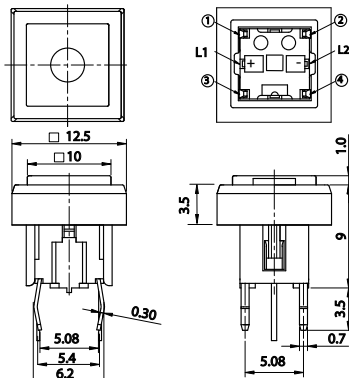
**PB6141FL**



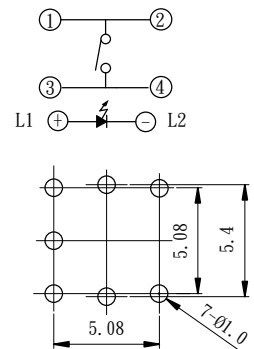
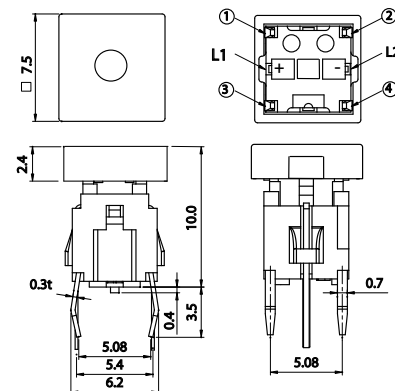
**PB6142FL**



**PB6143FL**



**PB6141L**



**PB 614 SERIES TACT SWITCHES**

# ILLUMINATED

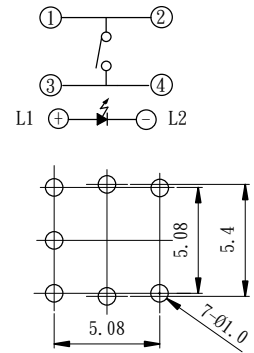
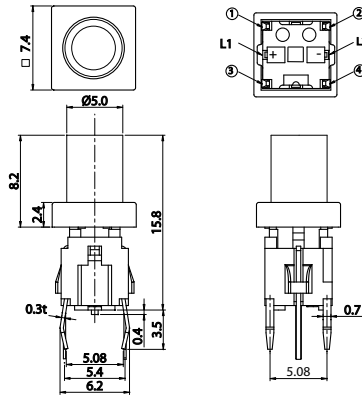
» Operating characteristics

Unit: mm

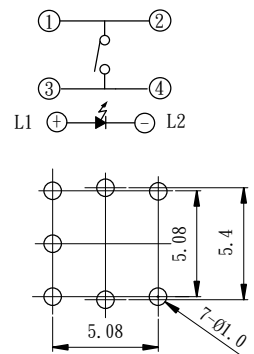
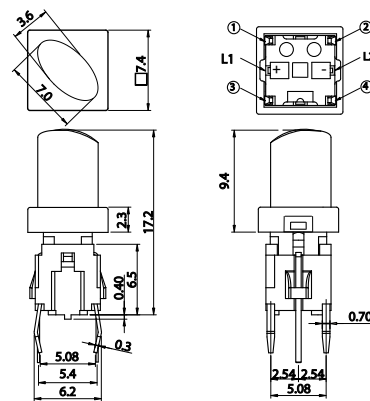
**Dimensions**

**P.C.B Layout**

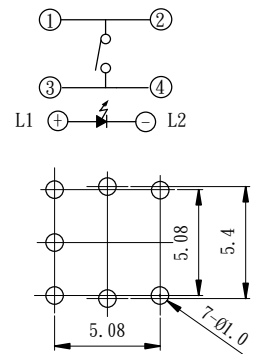
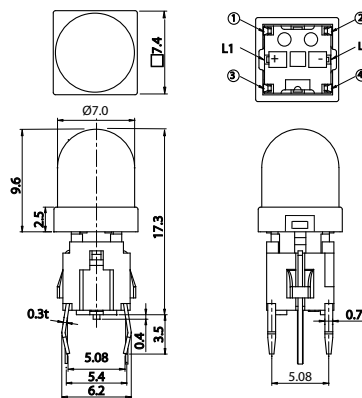
**PB6144L**



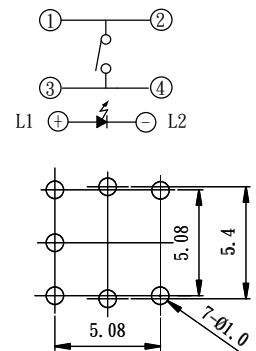
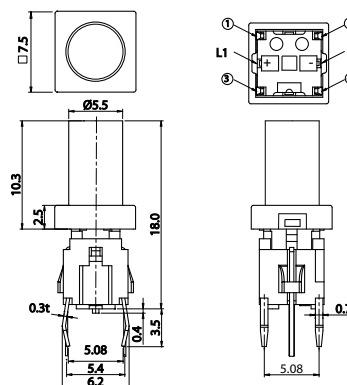
**PB6145L**



**PB6146L**



**PB6149L-□-102**



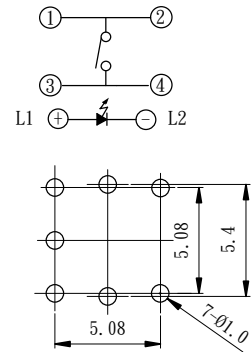
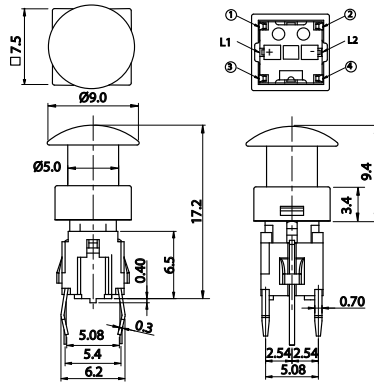
## » Operating characteristics

Unit: mm

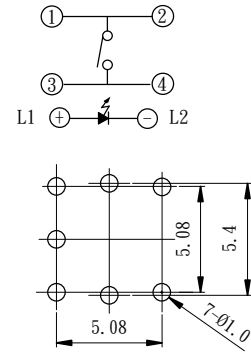
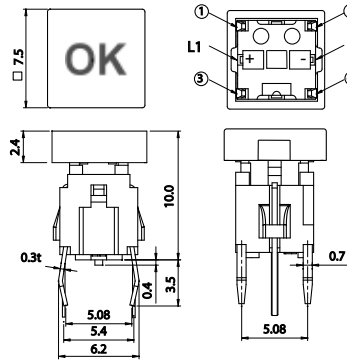
### Dimensions

### P.C.B Layout

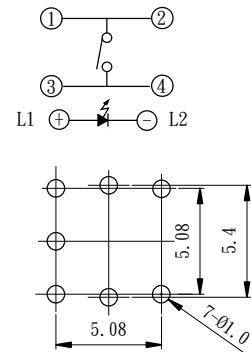
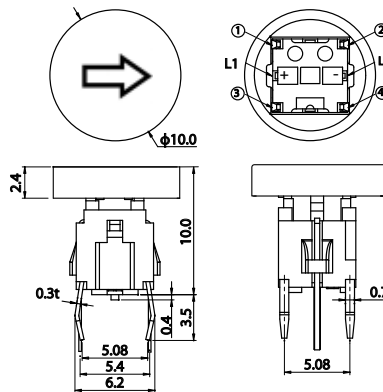
#### PB61410L



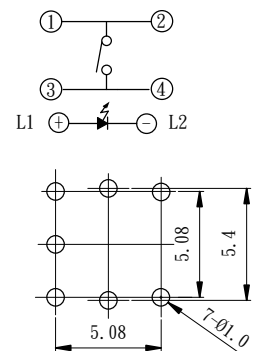
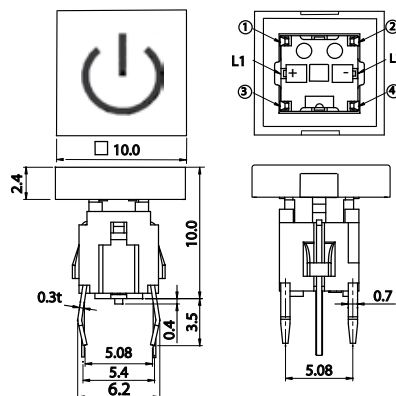
#### PB61411L-□-103



#### PB61412L-□-104



#### PB61413L-□-101



# PB 614 SERIES TACT SWITCHES

# ILLUMINATED

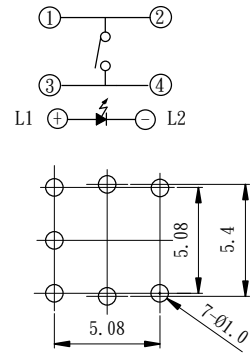
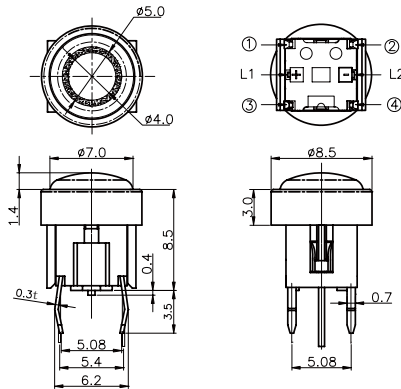
## » Operating characteristics

Unit: mm

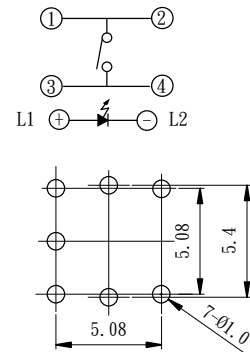
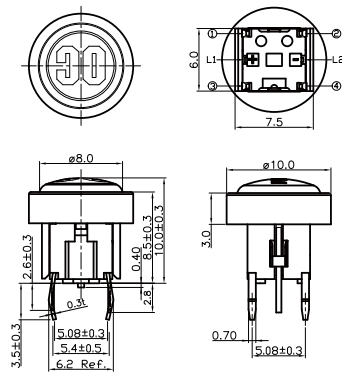
### Dimensions

### P.C.B Layout

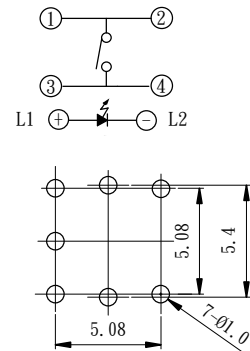
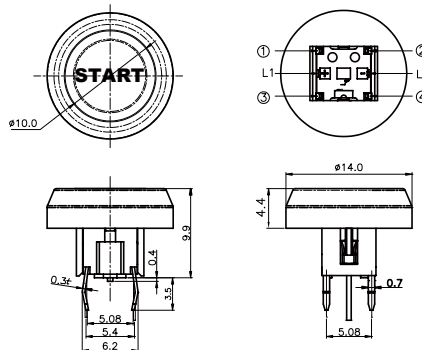
#### PB61415FL-□-102



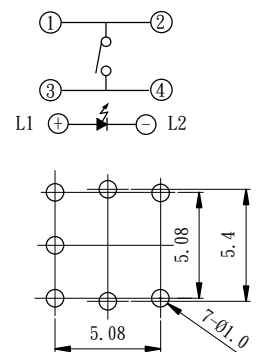
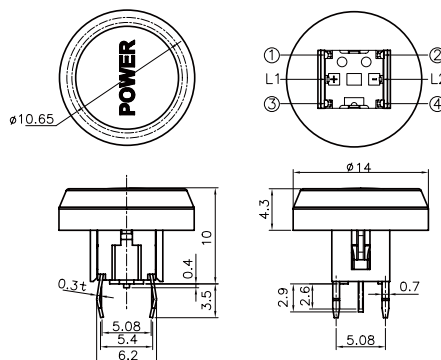
#### PB61416FL-□-5307



#### PB61417FL-□-6102



#### PB61422FL-□-850R



## » Features

- Sharp "click" feeling with positive reliability feedback.
- Precise design terminal type adequate for DIP IC pitch size (multiple of 2.54mm).
- Several LED colors options.
- Adequate for DIP & SMT.



## » Applications

- Operating switches in all types of electronic equipment such as audio apparatus, office equipment, communications apparatus, TV sets, VCRs, etc.

## » Specifications

Rating	50mA 12VDC
Insulation Resistance	100MΩ Min (at 500 VDC)
Dielectric Strength	AC 250V (50/60 Hz for 1 minute)
Contact Resistance	100mΩ Max. (Initial)
Electrically Life	300,000 Cycles Min
Ambient Temperature	-20°C ~ +70°C
Operating Force	160 ± 50gf
Travel	0.25 ± 0.1 mm

## » LED Specifications

Color	VR	IF	Recommended Operating Current	VF	
				Nor	Max
Red	DC 5V	20mA	20mA	1.7V	2.4V
Green	DC 5V	20mA	20mA	1.9V	2.4V
Yellow	DC 5V	20mA	20mA	1.9V	2.4V
Blue	DC 5V	20mA	20mA	3.0V	3.6V
White	DC 5V	20mA	20mA	3.0V	3.6V

For the specification about the other LEDs, please contact with sales department

## » Product selection

**TP 6141**

FUNCTION	
Non-LED	
_	Standard type
M	SMT type
X	Holder
LED	
L	Standard type
ML	SMT type
XL	Holder

-

LED COLOR		
1		Red
2		Yellow
3		Green
4		Blue
5		White
6		Pure Green
8		Amber
9		Blue Green
10		Pink
011		Purple
12		Red/Yellow
13		Red/Green
14		Red/Blue
23		Yellow/Green
48		Blue/Amber
52		White/Yellow
58		White/Amber
-		Non-LED

LED BRIGHTNESS	
_	Standard
C	High Brightness

# TP 6141 SERIES

# ILLUMINATED

# TACT SWITCHES

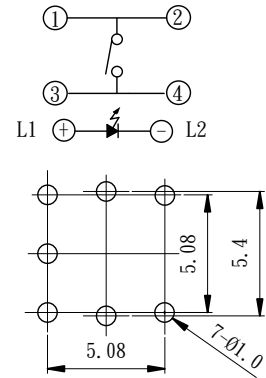
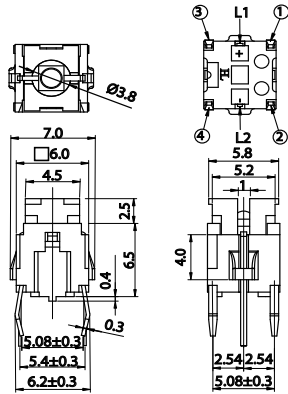
## » Operating characteristics

Unit: mm

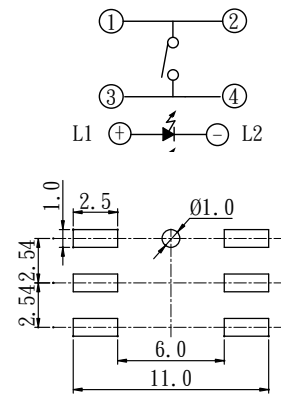
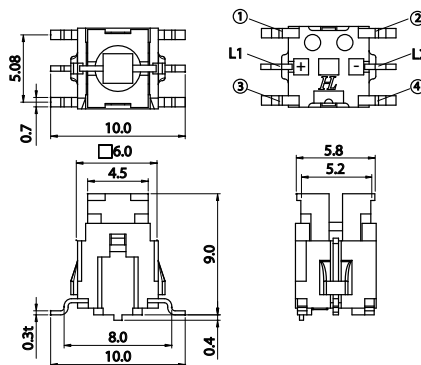
### Dimensions

### P.C.B Layout

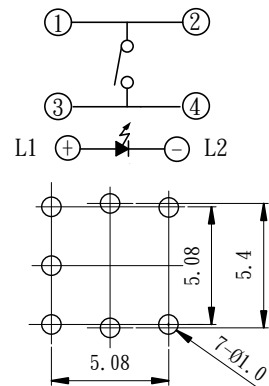
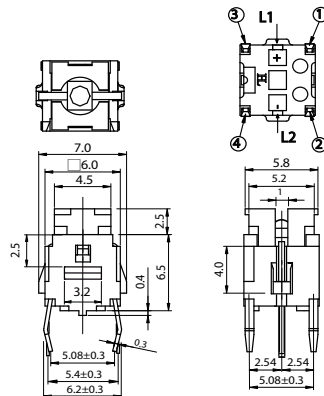
#### TP6141 TP6141L



#### TP6141M TP6141ML



#### TP6143 TP6143L



#### TP6143X TP6143XL

