

## Specifications



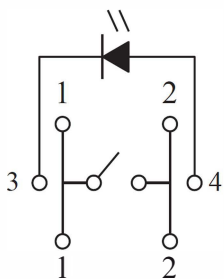
Current Rating	:50mA
Voltage Rating	:12VDC
Dielectric Withstanding Voltage	:250VAC for 1 minute
Contact Resistance	:100m Ohm Max.(initial)
Insulation Resistance	:100M Ohm Min.
Mechanical Life	:1,000,000 cycles Min.
Solder Specifications	:260 deg. for 3 seconds
Function	:Momentary(SPST)
Operating Temperature	:-10 deg.~+60 deg.

Part No.	Travel (mm)	Force (gf)	Description
SPH2N	1.0 ± 0.3	60 ± 40	Noiseless, Long travel
SPH2T	0.4 ± 0.2	230 ± 50	Crisp, Long tactile travel
SPH2S	0.2 ± 0.1	190 ± 50	Normal, Short travel

Materials	
Diffuser	:Polycarbonate (PC)
Cap	:Polycarbonate (PC) Polyamide (PA)
Base	:Polyamide (PA)
Reflector	:Polyoxymethylen (POM)
Housing	:Acrylonitrile Butadine Styrene (ABS) Polyamide (PA)
Switch Terminal	:Brass with gold plating

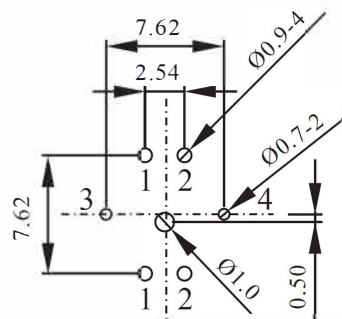
## PCB Layout & Circuit Diagram

### Contact Configuration

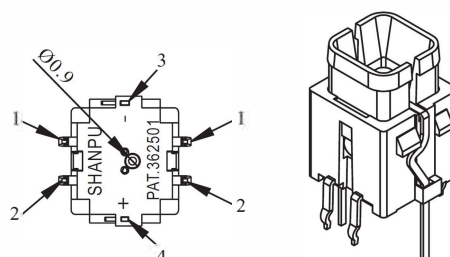
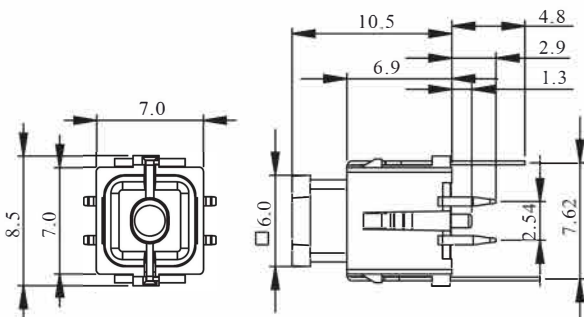


Pin	Function
1	SW COM.
2	SW N.O.
3	LED-
4	LED+

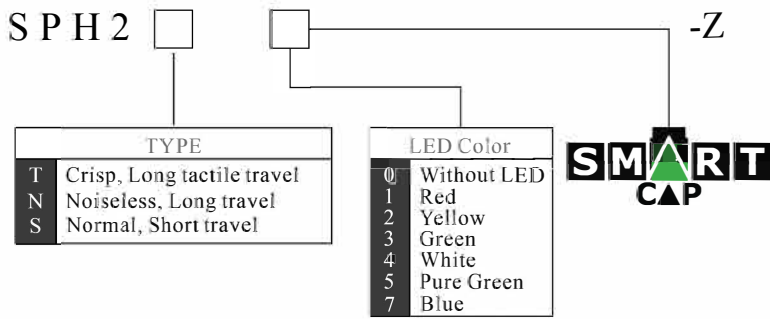
### PCB Mounting



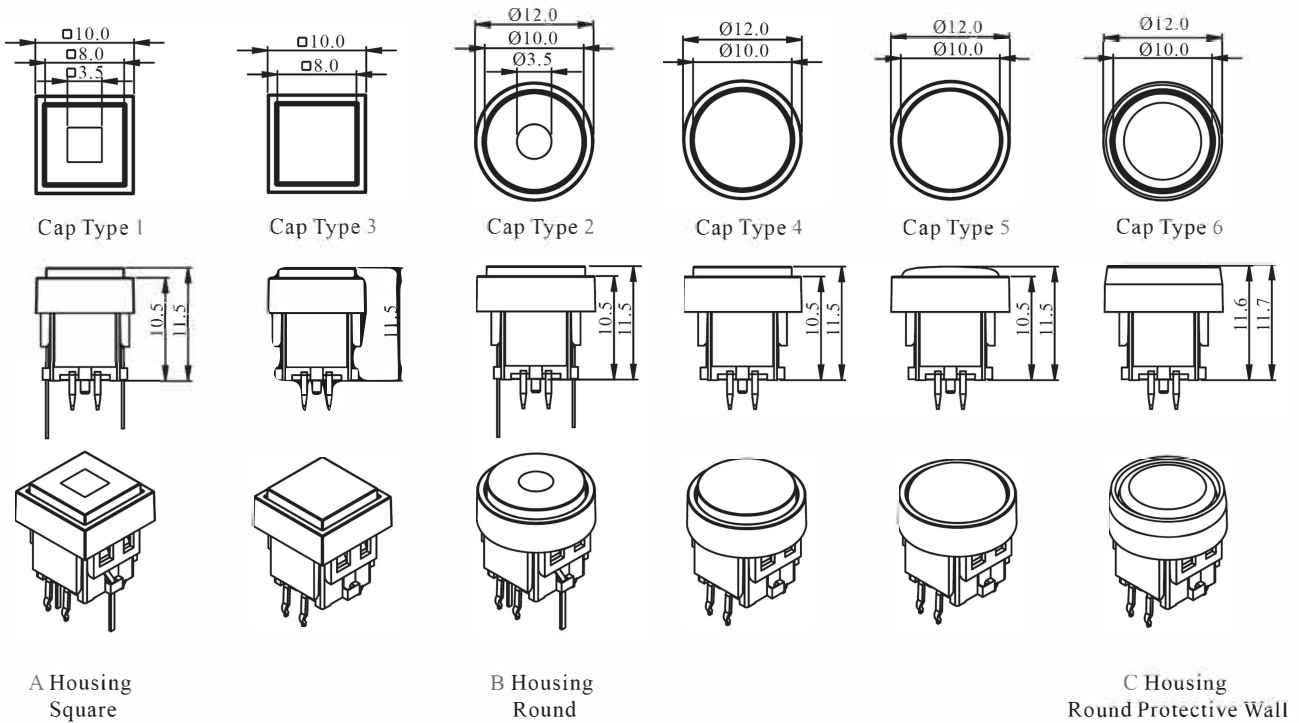
### Dimensions



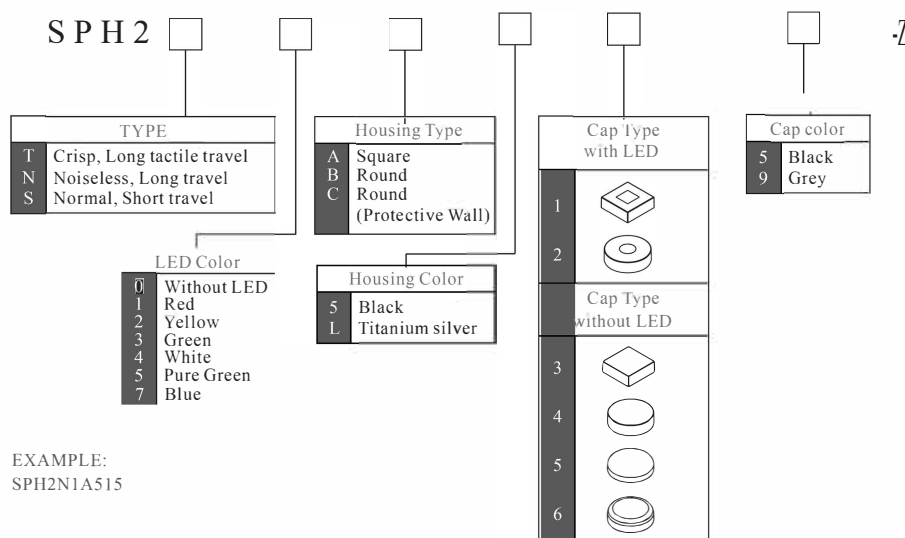
## How to Order



## Dimensions of Housing



## How to Order



EXAMPLE:  
SPH2N1A515