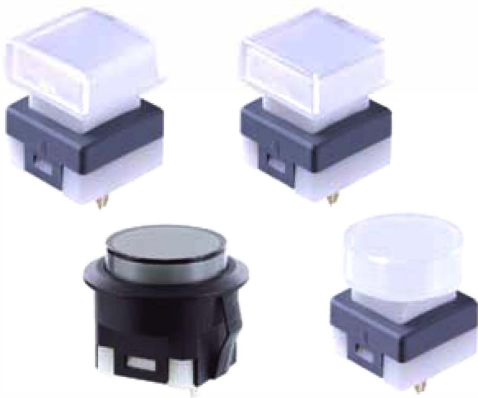


## SPG4

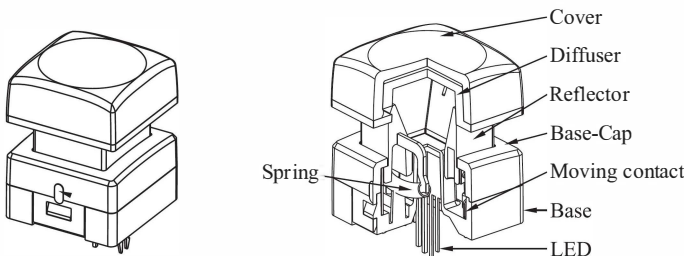


### Specifications

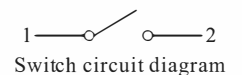
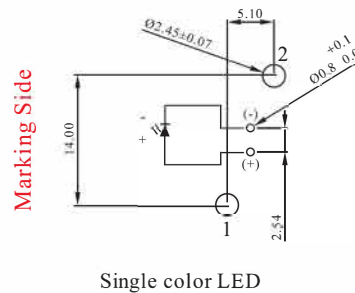
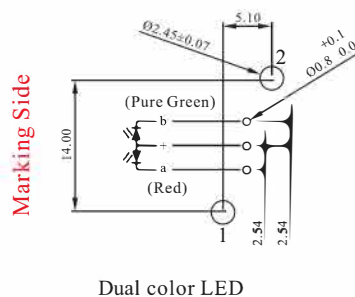
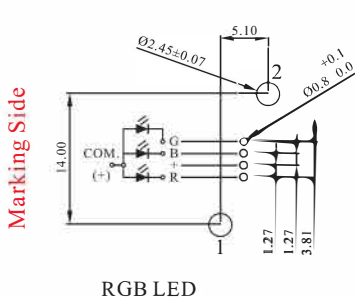
Current Rating	:50mA
Voltage Rating	:48VDC
Contact Resistance	:100m Ohm (initial)
Insulation Resistance	:100M Ohm Min.
Operating Force	:250gf ± 50gf
Total Travel	:4.5mm ± 0.20mm
Mechanical Life	:5,000,000 cycles Min.
Solder Specifications	:260 deg. for 3 seconds
Function	:Momentary(SPST)
Operating Temperature	:-25 deg.~+70 deg.

<b>Materials</b>	
Cover	:Polycarbonate (PC)
Cap	:Polycarbonate (PC)
Reflector	:Polyoxymethylen (POM)
Base-Cap	:Polyamide (PA)
Moving contact	:Phosphor Bronze with gold plating
Base	:Polyamide (PA)
Terminal	:Brass with gold plating
Spring	:Piano wires
Rubber washer	:NBR

### Drawing

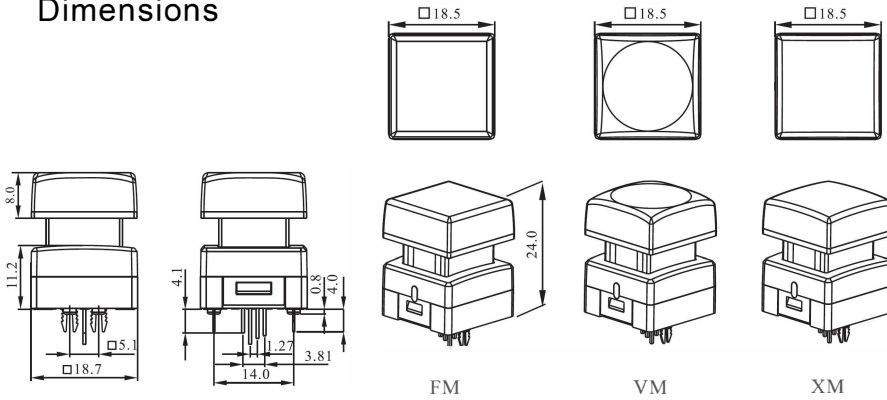


### PCB Layout & Circuit Diagram

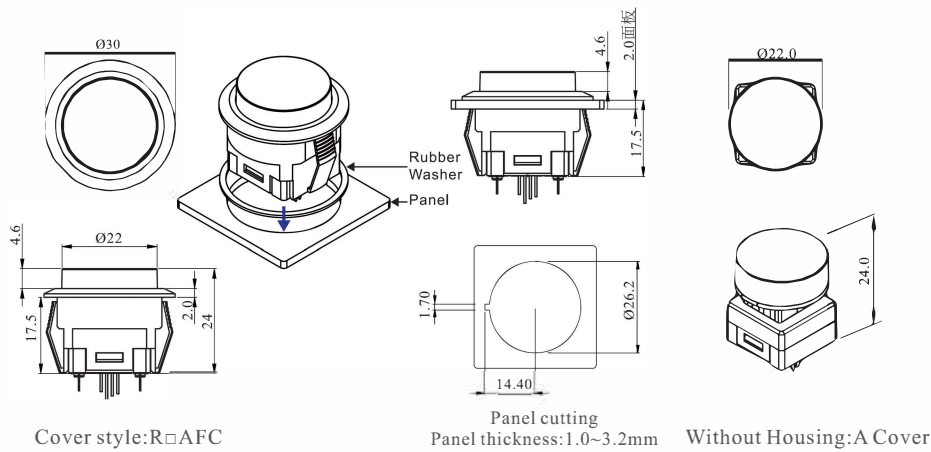


## SPG4

### ■ Dimensions



### ■ Dimension of Round Cap (Snap-in type)



### ■ How to Order (18.5 cap)

SPG4  —  —  —   -Z

Operating Force	
--	Standard
T	Tactile feeling

LED Color	
5	Pure Green
D	Red/Pure Green
9	RGB Full color

Diffuser Color	
4	White

Cover style	
FM	Flat Matt
VM	Concave Matt
XM	Convex Matt

SPG4  —  —  —      -Z

Operating Force	
--	Standard
T	Tactile feeling

LED Color	
5	Pure Green
D	Red/Pure Green
9	RGB Full color

Diffuser color	
4	White

Housing type	
--	Without
R	Round

Housing color	
4	White
5	Black

Cover Size	
A	φ 22.0

Cover Style / Color	
FC	Flat Clear Transparent
FCC	Flat Clear Transparent Black