

SPG3



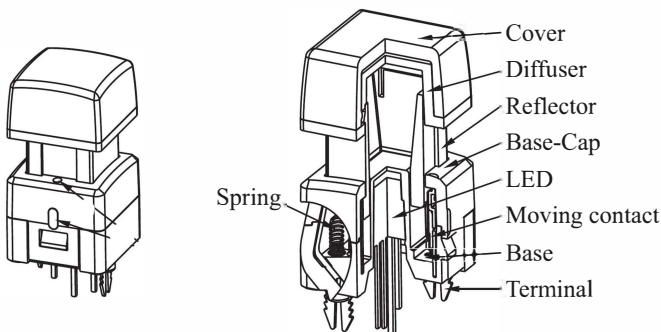
Specification

Current Rating	:50mA
Voltage Rating	:48VDC
Contact Resistance	:100m Ohm (initial)
Insulation Resistance	:100M Ohm Min.
Operating Force	:250gf ± 50gf
Total Travel	:4.5mm±0.20mm
Mechanical Life	:5,000,000 cycles Min.
Solder Specifications	:260 deg. for 3 seconds
Function	:Momentary(SPST)
Operating Temperature	:-25 deg.~+70 deg.

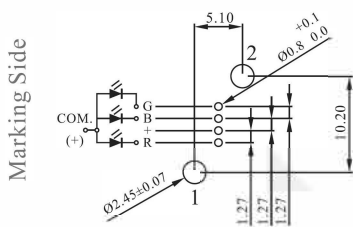
Materials

Cover	:Polycarbonate (PC)
Cap	:Polycarbonate (PC)
Reflector	:Polyoxymethylen (POM)
Base-Cap	:Polyamide (PA)
Moving contact	:SUS with gold plating
Base	:Polyamide (PA)
Terminal	:Brass with gold plating
Spring	:SUS

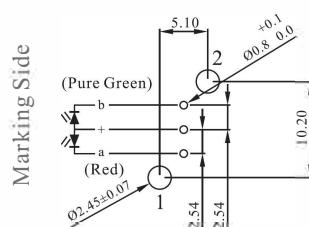
Drawing



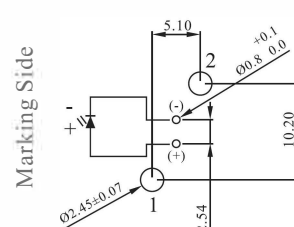
PCB Layout & Circuit Diagram



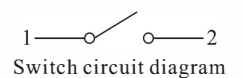
RGB LED



Dual color

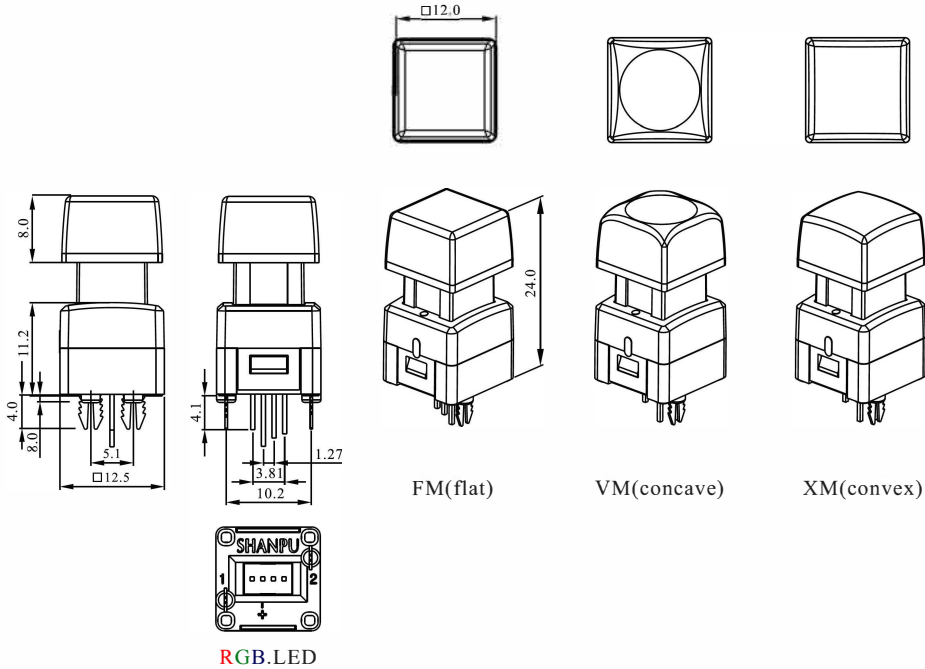


Single color



SPG3

Dimensions



How to Order

