

SPG1 / SPG2



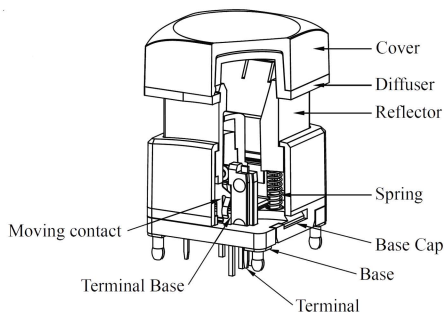
Specifications

Current Rating	:100mA
Voltage Rating	:12VDC
Contact Resistance	:100m Ohm (initial)
Insulation Resistance	:100M Ohm Min.
Operating Force	:200gf ± 50gf
Total Travel	:(SPG1)4.5mm±0.50mm (SPG2)3.5mm±0.50mm
Mechanical Life	:5,000,000 cycles Min.
Solder Specifications	:260 deg. for 3 seconds
Function	:Momentary(SPST)
Operating Temperature	:-25 deg.~+50 deg.

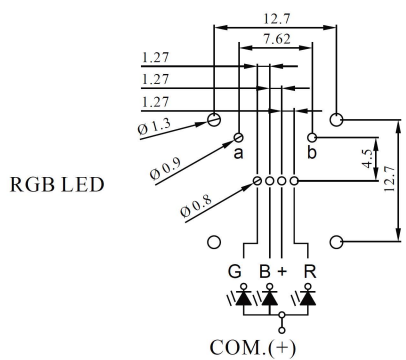
Materials	
Cover	:Polycarbonate (PC)
Cap	:Polycarbonate (PC)
Reflector	:Polyoxymethylen (POM)
Base-Cap	:Polyamide (PA)
Moving contact	:Phosphor Bronze with gold plating
Base	:Polyamide (PA)
Terminal	:Brass with gold plating
Spring	:SUS



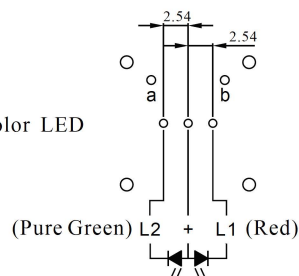
Drawing



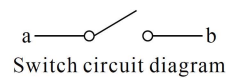
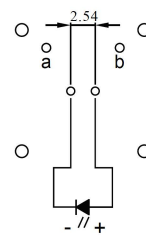
PCB Layout & Circuit Diagram



Dual color LED



Single color LED



SPG1 / SPG2

■ Dimensions



SPG1 / SPG2

How to Order

