

## Specifications



Circuit	: SPDT or DPDT
Rating	: 5A, 125/250 V AC or 5A@ 30 V DC
Contact Resistance	: 50 m Ohm Max(initial)
Insulation Resistance	: 200 M Ohm Min
Operating Force	: Single pole: 190gf±50gf Double pole: 200gf±50gf
Total Travel	: 2.3mm±0.5mm
Mechanical Life	: 1,000,000 cycles min. for Momentary. 200,000 cycles min. for Alternate.
Electrical Life	: 10,000 cycles min. for silver alloy contact
Operating Temperature	: -25deg~+50deg
Function	: Momentary or Alternate

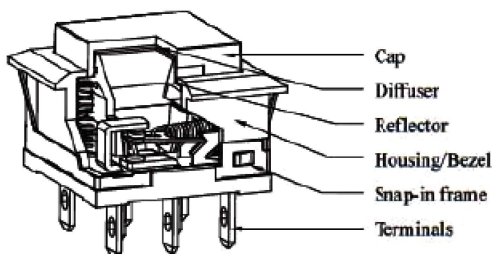
### Features

- Bright LEDs of Single, RGB colors available.
- Full face illumination plus in square or rectangular models.
- Combination of PCB mounting and Panel snap-in.
- Small and short body for mounting in tight spaces.
- Snap-action contact mechanism.
- Momentary and Alternate available.

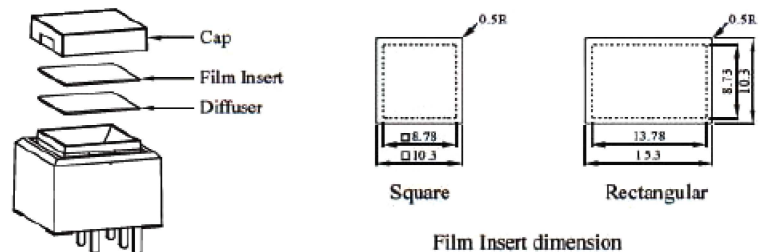
### Material

Cap	: Polycarbonate(PC)
Housing	: Polyamide (PA)
Snap-in Frame	: Stainless steel
Switch/LED Terminal	: Phosphor bronze (PBS) with gold plating
Movable Contacts	: Silver alloy
Spring	: Piano wire
Base	: Polyamide(PA)
LED	: Surface type LED

## Drawing



## DIY Legends

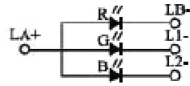


\*The dotted line area is suggested printable area for SPC film insert.  
\*Recommended film insert: Clear Polyester, 0.2mm Max. thickness.

## Contact Configuration & LED Schematics

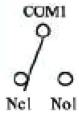


Single color LED

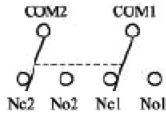


Full (RGB) Colors LED

Notes: LED circuit is isolated and requires external power source.

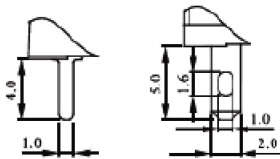


SPDT



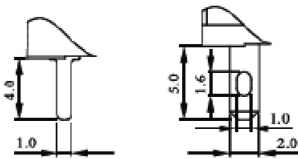
DPDT

## Terminals



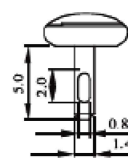
Straight PC

Soldering



Straight PC

Soldering Single

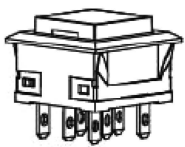


Soldering RGB

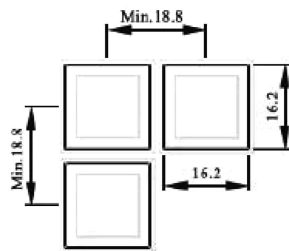
Switch pins, Thickness=0.5mm

LED pins, Thickness=0.3mm

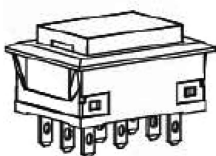
## Panel Cutting



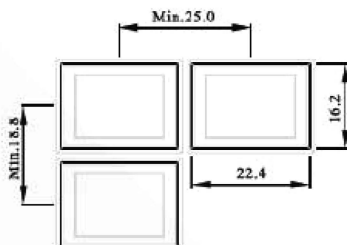
Square \ Solder Lug



Panel Thickness: 1.0~3.2mm



Rectangular \ Solder Lug

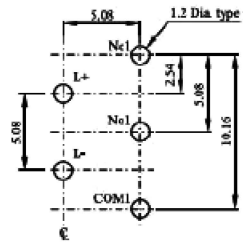


Panel Thickness: 1.0~3.2mm

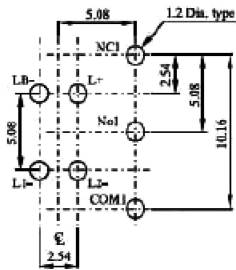
## PCB Layout of Square Type

### Single Pole

Single color LED

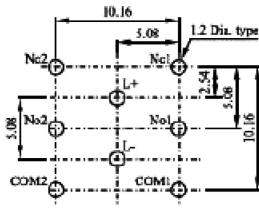


Full colors (RGB) LED

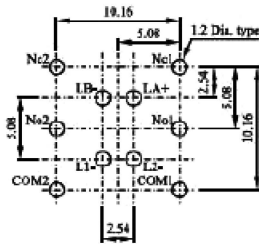


### Double Pole

Single color LED



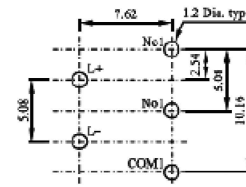
Full colors (RGB) LED



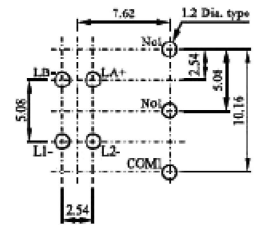
## PCB Layout of Rectangular Type

### Single Pole

Single color LED

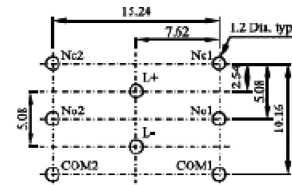


Full colors (RGB) LED

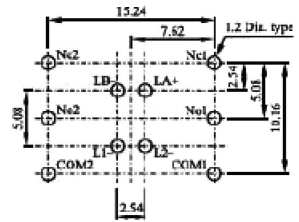


### Double Poles

Single color LED



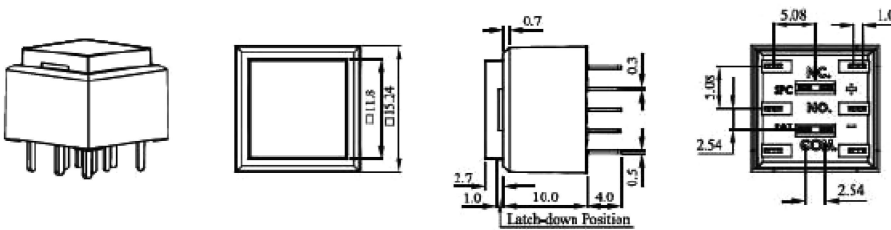
Full colors (RGB) LED



## Dimensions of Square PCB type

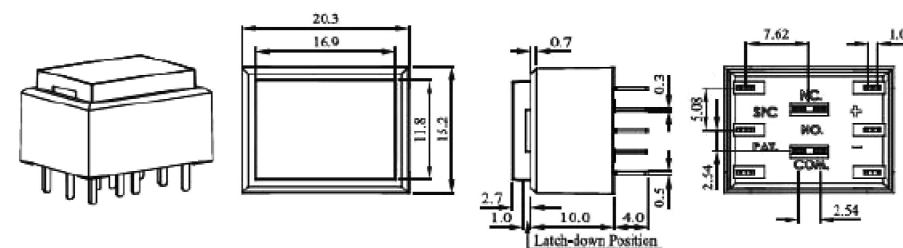
### Full Color(RGB) LED

Single & Double Pole: Single pole do not have terminal Com2, NO.2. and NC2



## Dimensions of Rectangular PCB type

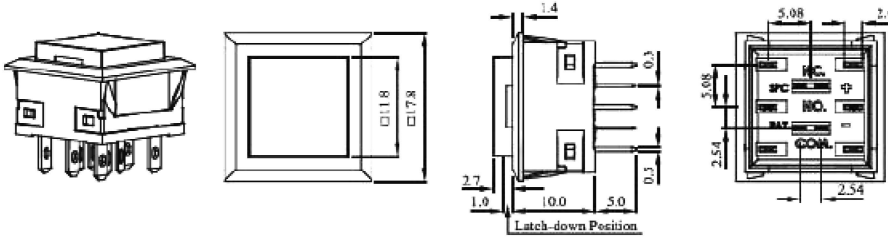
### Full Color(RGB) LED



## ■ Dimensions of Square Snap-in type

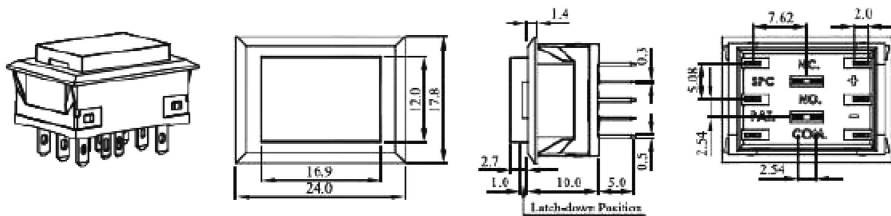
Full Color(RGB) LED

Single & Double Pole: Single pole do not have terminal Com2, NO.2. and NC2

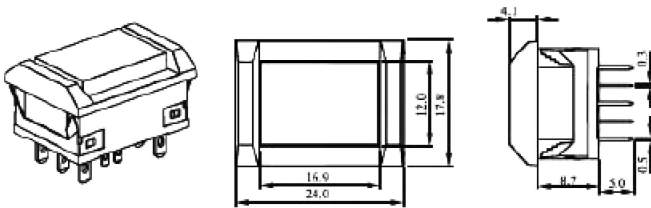


## ■ Dimensions of Rectangular Snap-in type

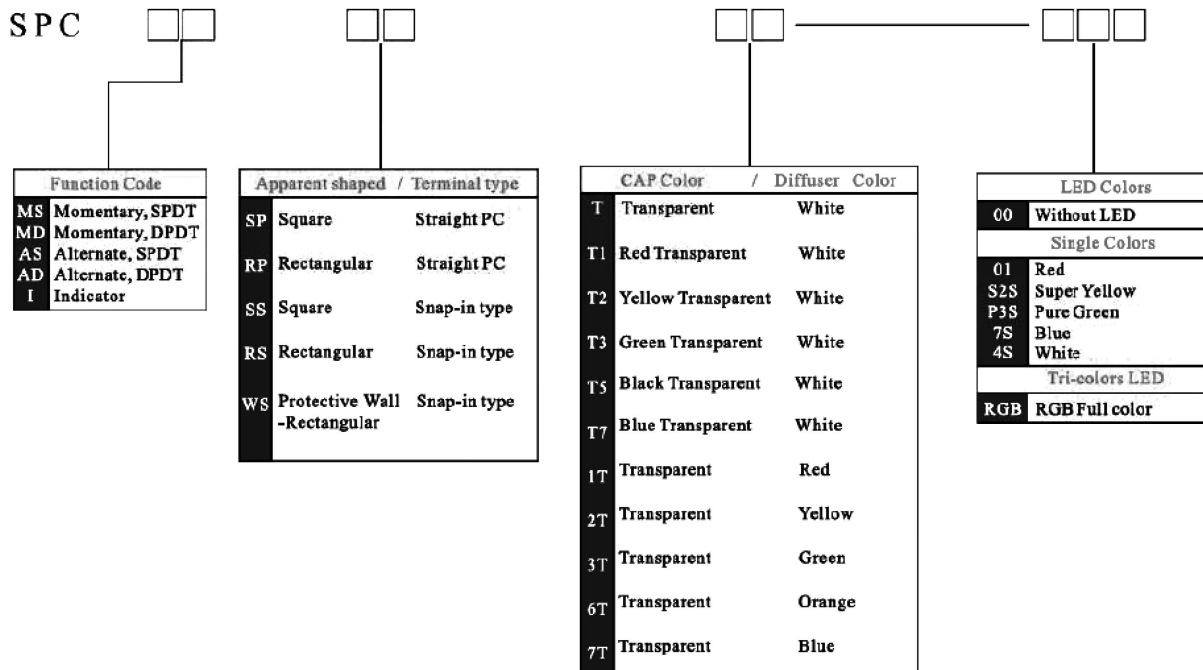
Full Color(RGB) LED



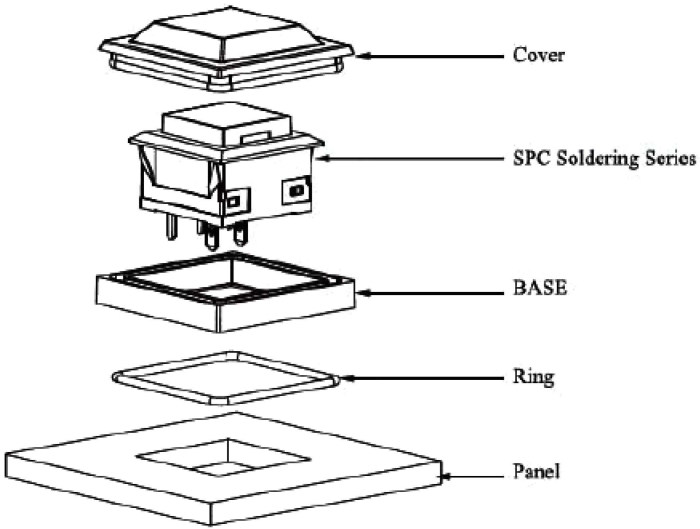
## ■ Dimensions of Square PCB type



## ■ How to Order

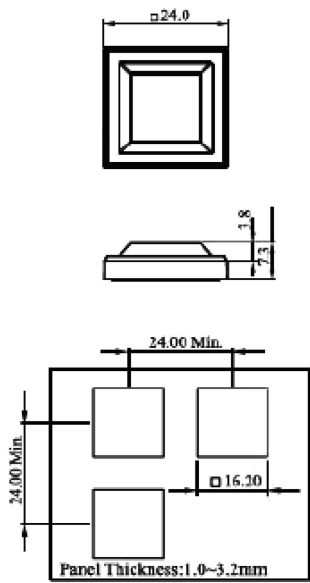


## SCB

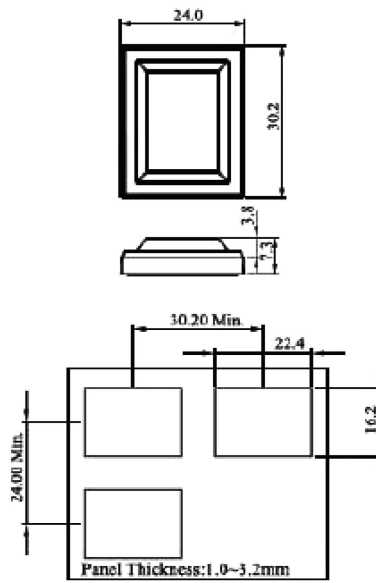


## Dimensions of SCB

SCB-S for Square's

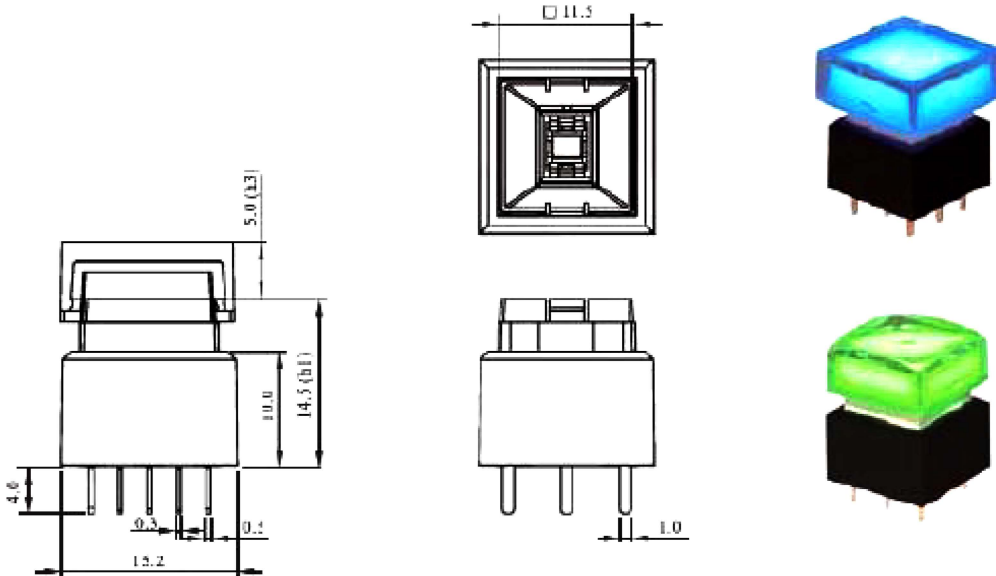


SCB-R for Rectangular's  
Not for Protective Wall type



## SPCG

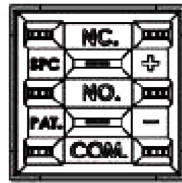
### ■ Dimensions



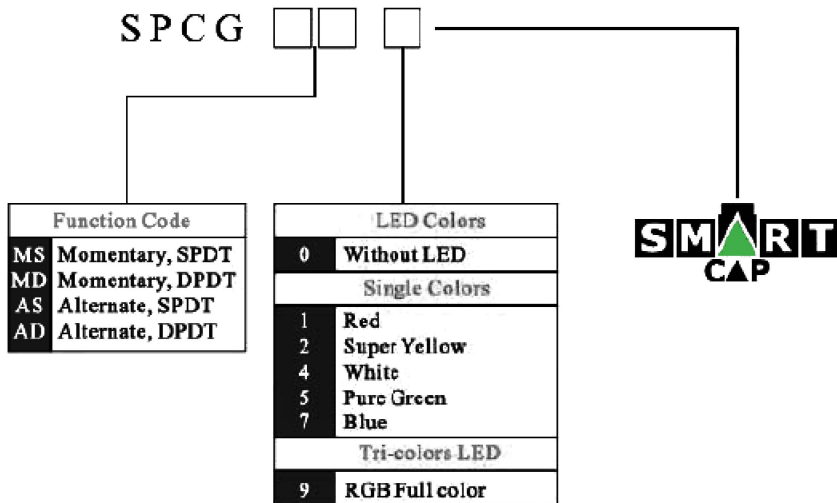
Single color Led

EXAMPLE:  
 (h1) 14.5mm + (h3) 5.0mm  
 = (h) 19.5mm

From Page 36



### ■ How to Order



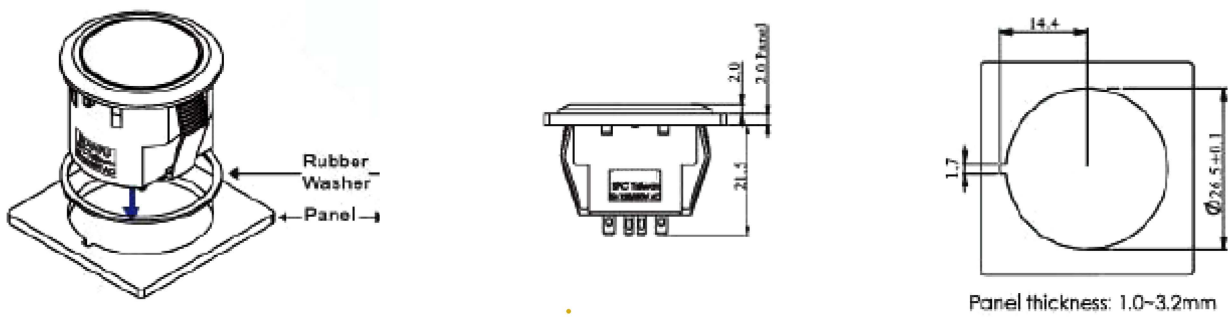


## SPCGSA

### ■ Dimensions



### ■ Panel

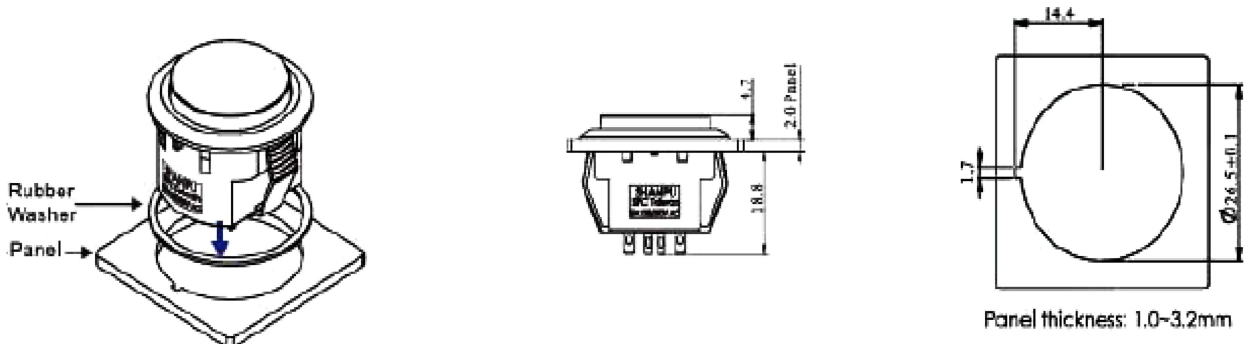


## SPCGSB

### ■ Dimensions

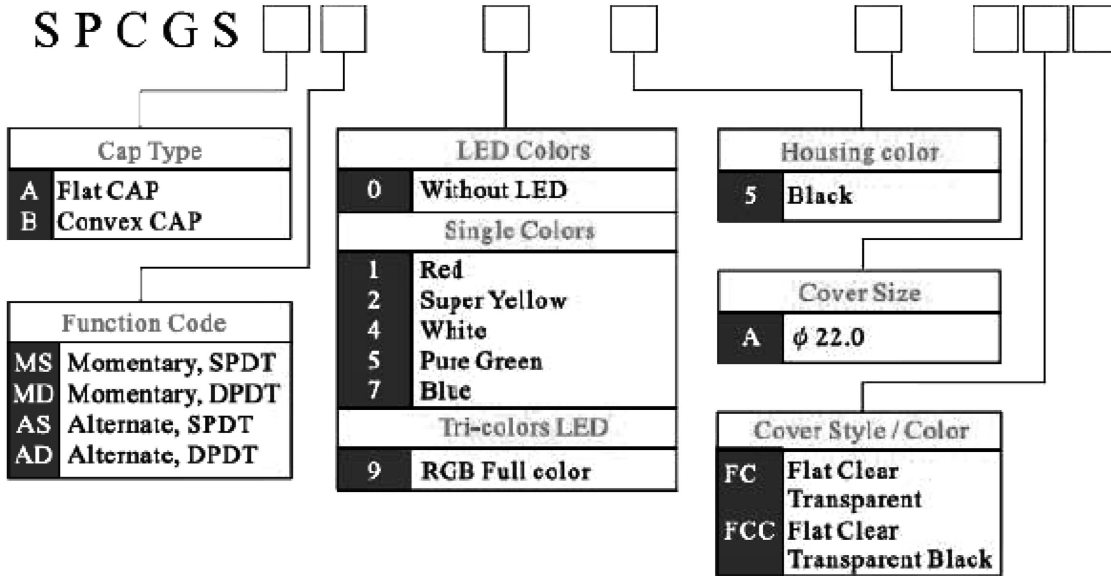


### ■ Panel



## SPCGS

### How to Order (Snap-in Round Cap)

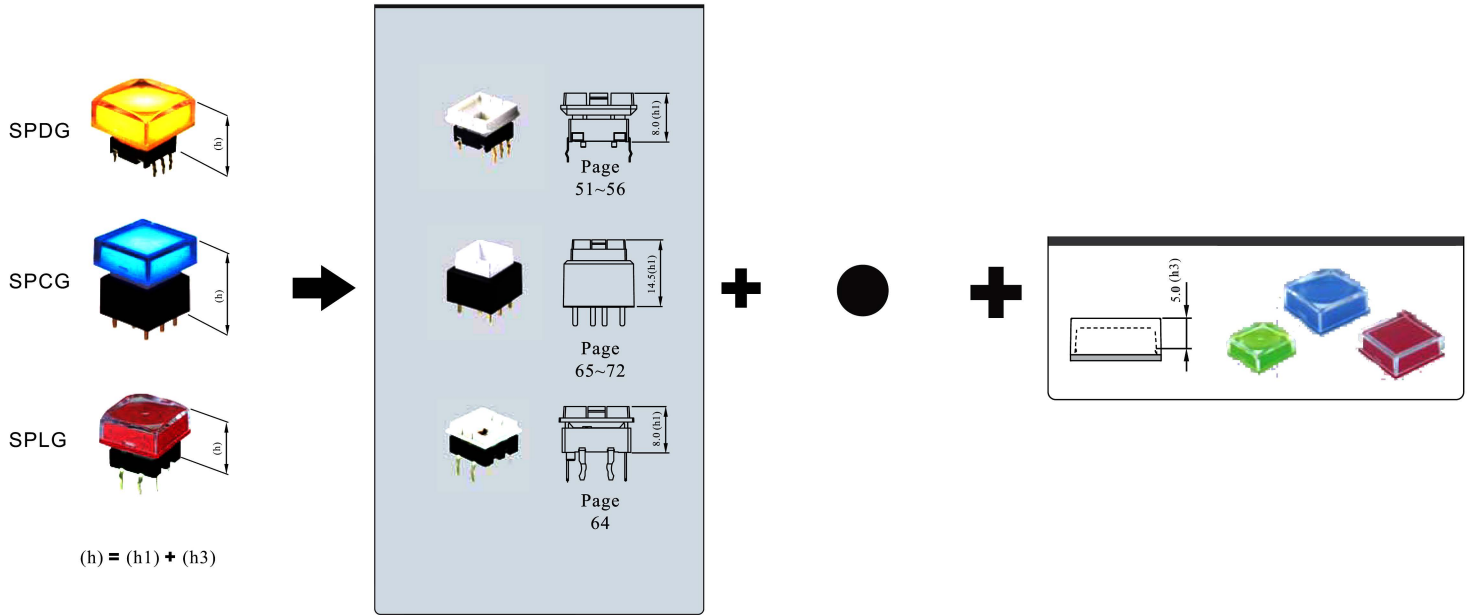


EXAMPLE:

SPCGSAMD95AFCC


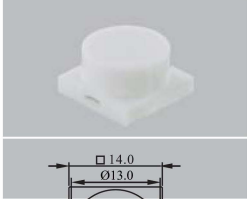


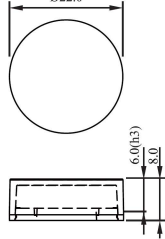
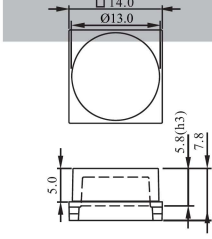
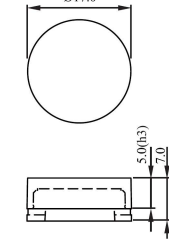
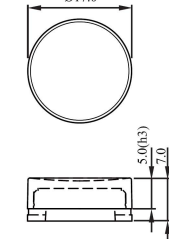


## Smart Cap Assembly



Shape						
Dimension						
Transparent	—	—	—	—	—	—
Ice	YCS004A	YCS005A	YCS006A	YCS001A	YCS002A	YCS003A
Snow	YCS004B	YCS005B	YCS006B	YCS001B	YCS002B	YCS003B
Transparent Black	—	—	—	—	—	—
Red	YCS0041	YCS0051	YCS0061	YCS0011	YCS0021	YCS0031
Yellow	YCS0042	YCS0052	YCS0062	YCS0012	YCS0022	YCS0032
Green	YCS0043	YCS0053	YCS0063	YCS0013	YCS0023	YCS0033
White	YCS0044	YCS0054	YCS0064	YCS0014	YCS0024	YCS0034
Orange	YCS0046	YCS0056	YCS0066	YCS0016	YCS0026	YCS0036
Blue	YCS0047	YCS0057	YCS0067	YCS0017	YCS0027	YCS0037
SPDG (h)	13.0mm	13.0mm	13.0mm	13.0mm	13.0mm	13.0mm
SPCG (h)	19.5mm	19.5mm	19.5mm	19.5mm	19.5mm	19.5mm
SPLG (h)	13.0mm	13.0mm	13.0mm	13.0mm	13.0mm	13.0mm

## Smart Cap Assembly

Shape				
Dimension				
Transparent	—	—	—	—
Ice	—	—	—	—
Snow	—	—	—	—
Transparent Black	—	—	—	—
Red	—	—	—	—
Yellow	—	—	—	—
Green	—	—	—	—
White	YCS0284	YCV0574	YCS0354	YCS0364
Orange	—	—	—	—
Blue	—	—	—	—
SPDG (h)	14.0mm	13.8mm	13.0mm	13.0mm
SPCG (h)	20.5mm	20.3mm	19.5mm	19.5mm
SPLG (h)	14.0mm	13.8mm	13.0mm	13.0mm