

# SF39BA

NAVIGATION SWITCH



### Features

- Panel cutting Ø39mm
- Front Panel IP65
- 5 Key Navigation Switches
- LED Illuminated
- Metal Housing

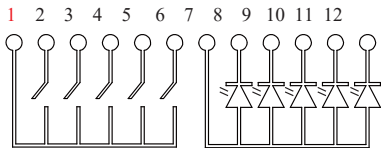
### General Specifications

Circuit :SP5T (Switch element)  
 Current Rating Contact :50mA @ 12VDC  
 Resistance Insulation :500m Ohm Max.  
 Resistance Operating (initial) :100M Ohm Min.  
 Force :400gf ±150gf(S1~4)  
 250gf±100gf(S5)  
 Total Travel Mechanical :0.5mm 0.3mm  
 Life Operating :200,000±cycles Min.  
 Temperature :-25 °C ~+60 °C

### Materials

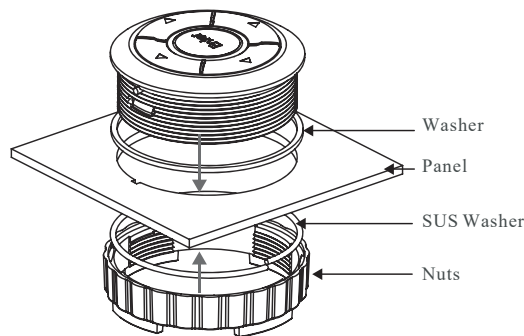
Housing :Aluminum or PA or PC :Polycarbonate (PC)  
 Cap :Polyamide(PA)  
 Nuts :Polyamide(PA)  
 Base :NBR  
 Washer :SUS  
 SUS Washer

### Contact Configuration & Installation Notes

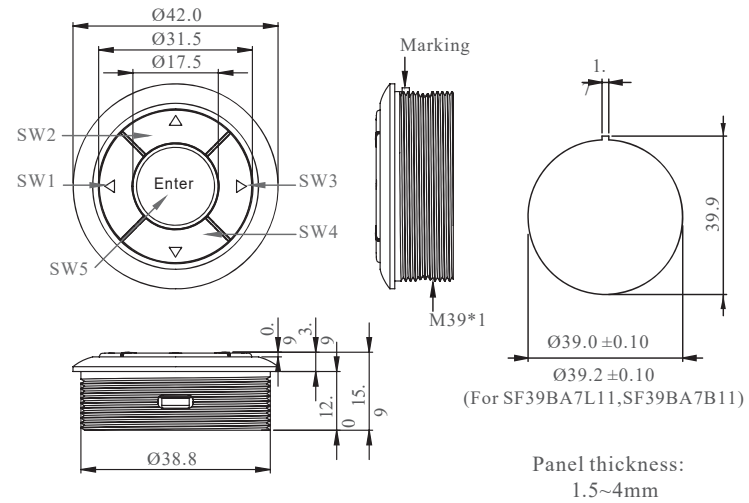


Pin	Function	Pin	Function
1	SW COM.	7	LED (+)
2	SW 1 N.O.	8	SW 1 LED(-)
3	SW 2 N.O.	9	SW 2 LED(-)
4	SW 3 N.O.	10	SW 3 LED(-)
5	SW 4 N.O.	11	SW 4 LED(-)
6	SW 5 N.O.	12	SW 5 LED(-)

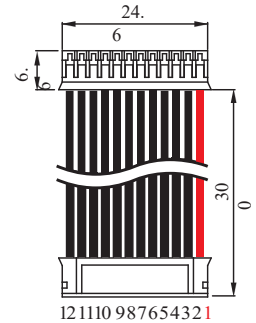
The Connector for SF39BA module similar JST S12B-PH-K-S.  
 We recommend using Cable socket: JST PHR-12 or similar.  
 Contact: JST SPH-002T-P0.5S or similar.



### Dimension & Panel cutting



### Option



Cable: YCW002  
 Cable:UL1007#26AWG  
 Conductor pitch : 2.0mm  
 Conductor width : □0.5mm

### How to order

<p><b>SF39BA2011</b>                      Yellow LED / Silver Housing / Paint Black Cap with Marking</p>	<p><b>SF39BA4511</b>                      White LED / Black Housing / Paint Black Cap with Marking</p>	<p><b>SF39BA7511</b>                      Blue LED / Black Housing / Paint Black Cap with Marking</p>	<p><b>SF39BA7L11</b>                      Blue LED / PA Silver Housing / Paint Black Cap with Marking</p>	<p><b>SF39BA7B11</b>                      Blue LED / PC Black Housing / Paint Black Cap with Marking</p>
--	--	---	---	--

※ Color is subject to actual product.  
 ※ We provide Laser Marking service.