

Feature

- Panel cutting Ø25 mm
- Front Panel IP65
- Push Switches
- Dual, RGB LED Illuminated
- Marking service

General Specifications

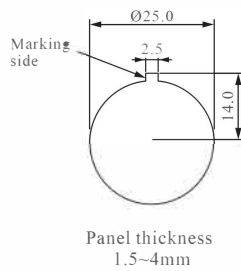
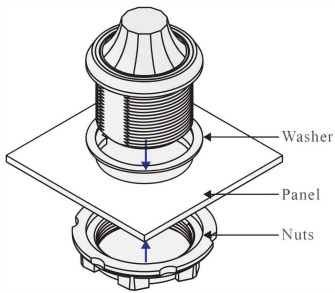
Resolution	:24 pulses / 360°
Circuit	:SPST (Push)
Current Rating	:0.5 mA (Rotation) :10 mA (Push)
Voltage Rating	:5 VDC
Contact Resistance	:500m Ohm Max.(initial)for Push
Insulation Resistance	:100M Ohm Min.
Operating Force	:Rotation Max. 30~200gf.cm Push Max. 450gf±200gf
Switching stroke	:0.5(+0/-0.3)mm
Mechanical Life	:Rotation - 30,000 operations Push - 20,000 operations
Operating Temperature	:-10 deg.C~+70 deg.C

Materials

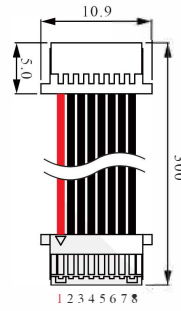
Housing	:Polyamide (PA)
Cap	:Polycarbonate (PC)
Waterproof part	:Silicone rubber
Nuts	:Polyamide(PA)
Washer	:Rubber



Installation Notes & Panel Cutting



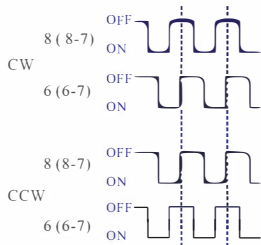
Option



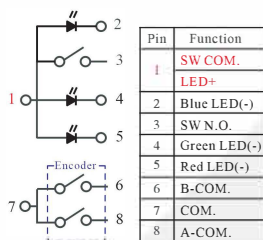
Cable: YCW014

Contact Configuration

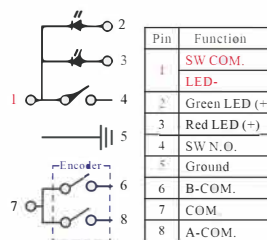
Rotation



RGB LED



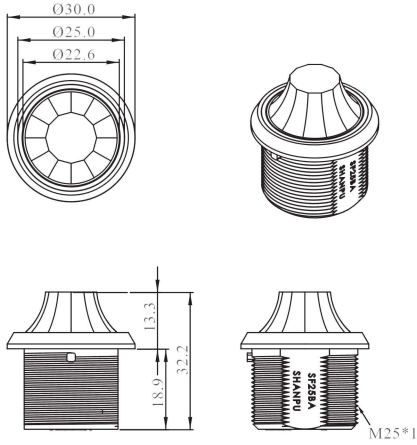
Dual LED



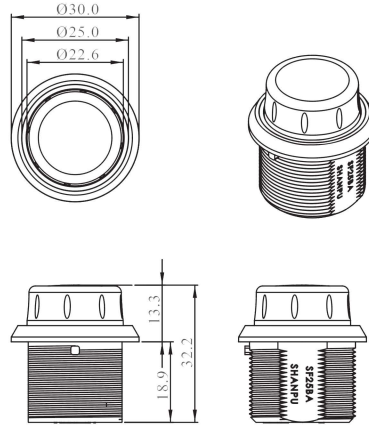
Numbers of detent : 24
Pulse / Rotation : 24 pulse / 360°
for each phase.(1 click 1 pulse)

Dimension (SF25BA)

Cap Type: Type 1, Type 2



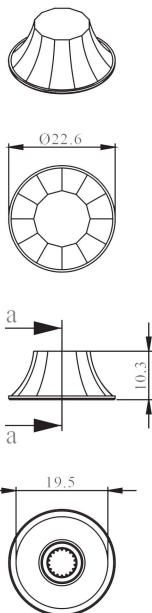
Cap Type: Type 3, Type 4



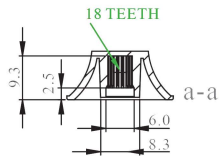
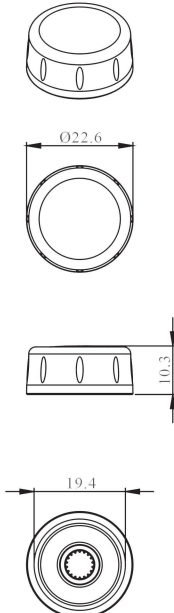
The Connector for SF25BA module
similar JST BM08B-SRSS-TB
Applicable Connector:
Conductor pitch / 1.0mm
Conductor width / \square 0.2mm

Dimension (CAP)

Cap Type: Type 1, Type 2



Cap Type: Type 3, Type 4



How to order

Module				
Part No	RJS- SF25BAK551	RJS- SF25BA9552	RJS- SF25BA9553	RJS- SF25BAK554
Description	LED : Green / Red Housing : Black CAP : Black CAP Type : Type 1	LED : R / G / B Housing : Black CAP : Black CAP Type : Type 2	LED : R / G / B Housing : Black CAP : Black CAP Type : Type 3	LED : Green / Red Housing : Black CAP : Black CAP Type : Type 4

CAP				
Part No	RJS-YCA1024-01-L001	RJS-YCA1024-01-L002	RJS-YCA1524-01-L001	RJS-YCA1524-01-L002
Description	CAP Type 1 Black Paint with Marking(Illuminated)	CAP Type 2 Black Paint with Marking(Illuminated)	CAP Type 3 Black Paint with Marking(Illuminated)	CAP Type 4 Black Paint with Marking(Illuminated)

※ Color is subject to actual product.

※ We provide Laser Marking service.