

RS004 SERIES

ROTARY SWITCH



Feature :


Rotary switch with center push function
Bi-color LED illuminated available

Application :

Consumer products
Audio / video products
Instrumentation
Communication equipments

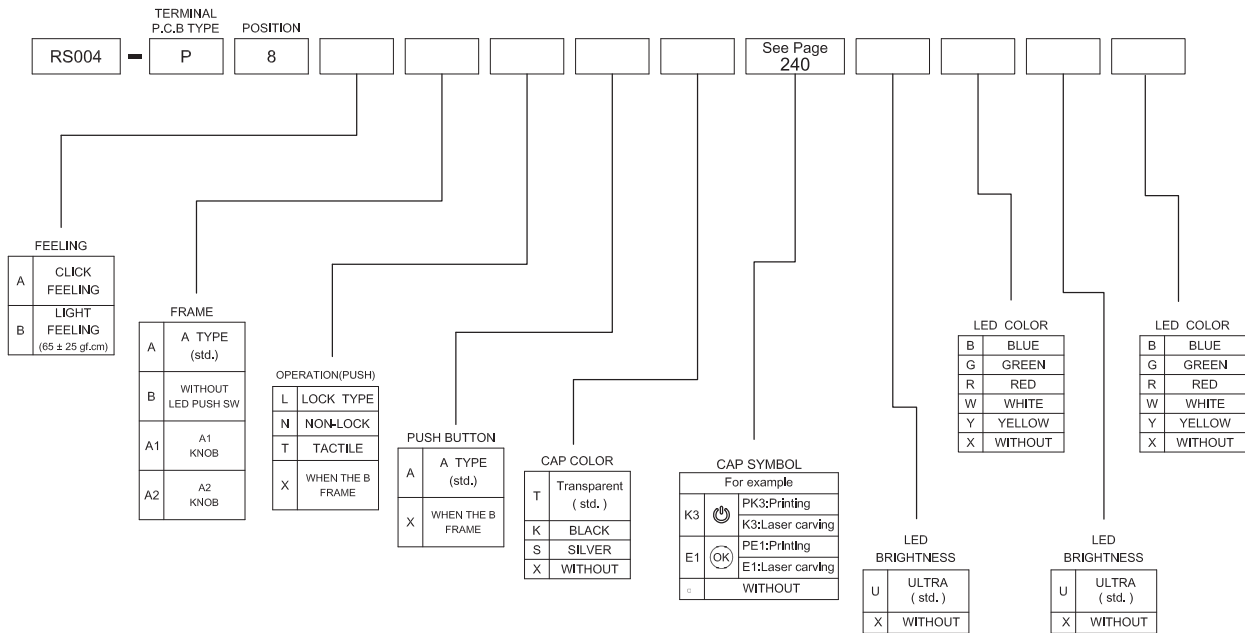


SWITCH SPECIFICATIONS	
POLE - POSITION	ROTARY SWITCH : 1P8T PUSH SWITCH : 1P2T or 2P2T
CONTACT RATING	30 V DC , 0.1A / 5V DC , 0.1mA
CONTACT RESISTANCE	200 mΩ MAX. 5 V DC ; 100 mA by Method of Voltage DROP
INSULATION RESISTANCE	100 MΩ MIN . 500 V DC for 1 minute
DIELECTRIC STRENGTH	Breakdown is not Allowable 100 V AC for 1 Minute
OPERATING FORCE	ROTARY SWITCH : 250 ±100 gf.cm PUSH SWITCH : 250 ±100 gf
OPERATING LIFE	20,000 cycles
OPERATING TEMPERATURE RANGE	-40°C ~ 85°C

LED SPECIFICATIONS								
ATTENTION LEDs are Electrostatic Sensitive devices  (+) (-)	Unit	Value / LED Color						
		Blue (5mA)	Pure Green	Red	Yellow	Orange	Green	White
LUMINOUS INTENSITY@20mA I _v	mcd	25	180	200	200	250	55	250
Dominant Wavelength λD	nm	470	525	630	590	601	567	/
FORWARD VOLTAGE@20mA V _f	V	2.8	3.2	1.95	2	2.1	2.1	4

■ A single bin cannot be ordered, please contact us in advance if you need a particular bin sorting before placing your order to clarify the lead time, MOQ and pricing

▶ HOW TO ORDER



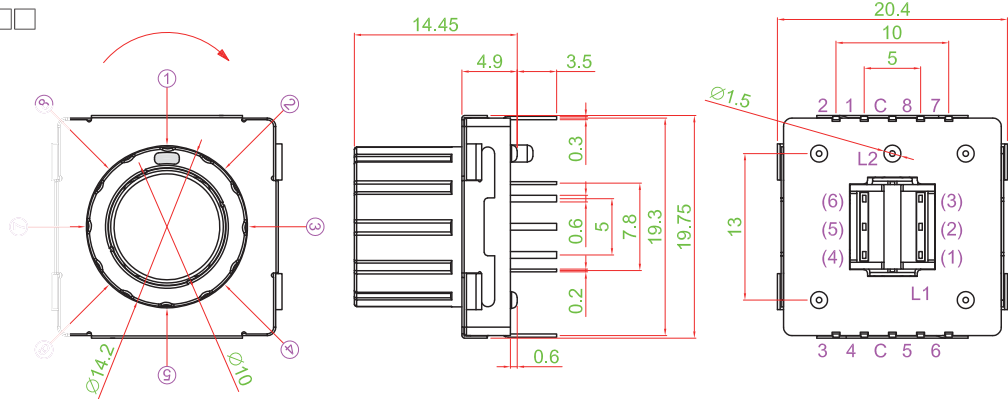
RS004 SERIES

ROTARY SWITCH

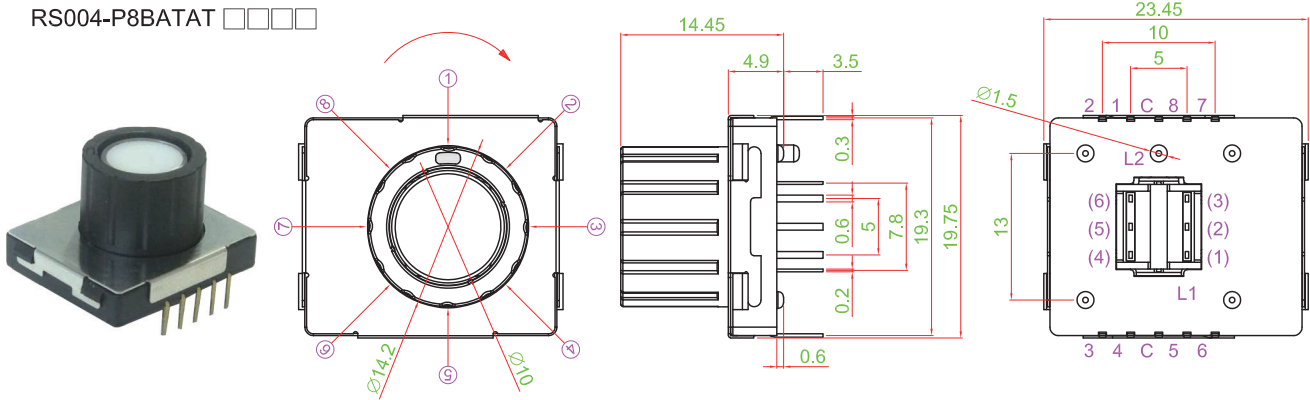


DIMENSION

RS004-P8AATAT □□□□

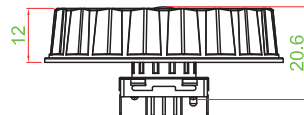
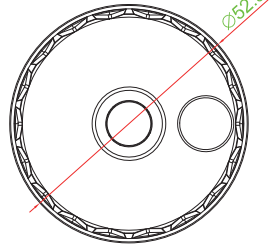


RS004-P8BATAT □□□□

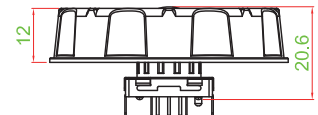
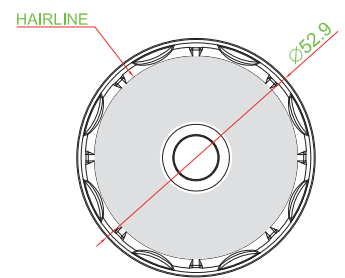


FRAME

A1 KNOB



A2 KNOB



CIRCUIT

