



Key Features

- Ø 22/25mm Panel cut out
- Momentary
- Dot LED illumination
- IP67 rated (from the front)
- SPDT

RJSX03

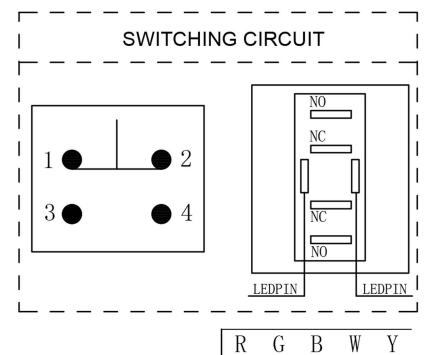
Appearance	Shape of top	Illuminated type	Operation	Contact	Model	Colour	Voltage	Material
	High point round	With LED	Momentary	1NO+1NC	RJS103-22L-MD	<ul style="list-style-type: none"> ■ Red ■ Green ■ Blue ■ White ■ Yellow ■ Orange 	24VDC 12VDC 6.3VDC 110VAC 220VAC	Stainless Steel
	High point round	With LED	Momentary	1NO+1NC	RJS103-25L-MD			
	High point round	With LED	Momentary	2NO+2NC	RJS203-25L-MD			

Lamp Ratings

Lamp Type	LED lamp(AC/DC)
Rated Voltage	3V,6V,12V,24V,36V,48V,110V,220VAC/DC
Rated Current	15mA - 20mA
LED Colour	■ ■ ■ ■ ■ ■
Life	40000 hours(Reference)
Lamp Circuit diagram	<p>Using AC/DC LED lamp, the terminals have no difference of anode and cathode</p>

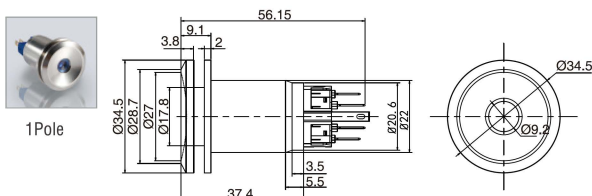
DC LED and other voltage can be made to order.

Circuit Drawing



Dimensions

RJS103-22L-MD



RJSX03-25L-MD

