



Features

- Hole sizes: 19mm
- Protection level: IP65/IP67
- Contact silver-plated gold: 1.5μ
- LED super bright cold light source lamp display
- Customizable pattern, color and size
- Comply with IEC60947-5-1 GB14048.5 standard

Technical Parameter

Degree of Protection	IP65 IP67
Contact Type	C:1NO+1NC
Maximum Voltage	250V AC/DC
Thermal Current	3A
Minimum Applicable Load	5V AC/DC, 1mA
Contact material	Silver plated gold
Terminal Style	.110" Solder / Quick Connect
Operating Temperature	-25°C to +55°C
Operating Humidity	45 to 85% RH
Contact Resistance	50mΩ
Insulation Resistance	100mΩ minimum (500VDC megger)
Vibration Resistance	10 to 55Hz, amplitude 1.5mm p-p
Degree of Protection	>10g
Electrical Life	100,000 operations minimum (at full rated load)
Mechanical Life	Maintained: 300,000 operations minimum Momentary: 1,000,000 operations minimum
Dielectrical Life	Switch Unit: 2,000V AC, 1 min. between live/dead part and terminals of different poles; 1,000V AC, 1 minute between terminals of the same pole; 1,500V AC, 1 minute between contact and lamp terminals. Illumination Unit: 2,000V AC, 1 min. between live part/ground
Soldering Temperature	20W/5 seconds or 260°C/3 seconds

Rated Parameters

Working voltage		24V	110V	220V
Contact Parameter	AC (50/60Hz)	—	1.0A	0.5A
		—	0.7A	0.5A
	DC	1.0A	0.2A	—
		0.7A	0.1A	—

Lamp Ratings

Lamp Type	LED lamp(AC/DC)
Rated Voltage	3V,5V,12V,24V,110v AC, 220v AC
Rated Current	Approx. 15 - 20mA
LED Color	R G Y O B W
Life	40000 hours(Reference)
Lamp Circuit diagram	<p>Using AC/DC LED lamp, the terminals have no difference of anode and cathode</p>

DC LED and other voltage can be made to order.

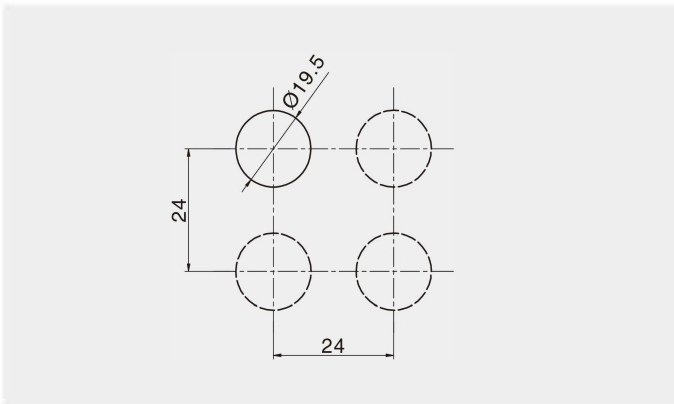
Contact Ratings

Rated insulation voltage		250V		
Heating current I _{th}		3A Temperature does not exceed the maximum allowed current		
Rated voltage		24V	110V	220V
Rated current	AC 50/60Hz	Resistive load	2A	-
		Inductive load	-	1A
	DC	Resistive load	0.7A	0.2A
		Inductive load	-	-
Contact material		Silver nickel oxide	Silver Plated Gold	

Switching Operation

Type	Sign	Diagram	Terminal Description
No.3			

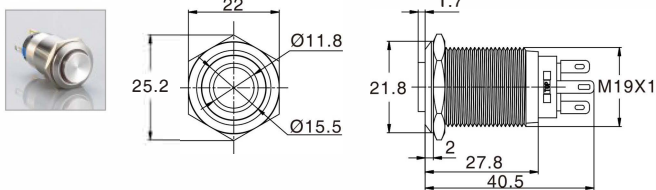
Install Size



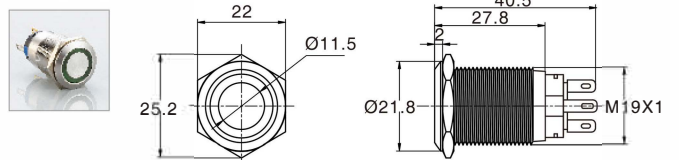
Appearance	Shape of top	Illuminated type	Operation	Contact	Model	Color	LED Voltage	material
	High ring round	With LED	Momentary	1NO	RJS102-19L-H-R~67J	<ul style="list-style-type: none"> ■ Red ■ Green ■ Blue ■ White ■ Yellow ■ Orange 	5v 12v 24v 110v AC 220v AC	BS - Brushed steel BLK – Black anodised aluminium Custom finishes available (subject to MOQ's)
				2NO	RJS202-19L-H-R~67J			
			Maintained	1NO	RJS102-19LA-H-R~67J			
				2NO	RJS202-19LA-H-R~67J			
	Flat ring round	With LED	Momentary	1NO+1NC	RJS102-19L-F-R~67J			
				2NO+2NC	RJS202-19L-F-R~67J			
			Maintained	1NO+1NC	RJS102-19LA-F-R~67J			
				2NO+2NC	RJS202-19LA-F-R~67J			
	Flat dot round	With LED	Momentary	1NO+1NC	RJS102-19L-F-D~67J			
				2NO+2NC	RJS202-19L-F-D~67J			
			Maintained	1NO+1NC	RJS102-19LA-F-D~67J			
				2NO+2NC	RJS202-19LA-F-D~67J			
	Domed ring round	With LED	Momentary	1NO+1NC	RJS102-19L-B-R~67J			
				2NO+2NC	RJS202-19L-B-R~67J			
			Maintained	1NO+1NC	RJS102-19LA-B-R~67J			
				2NO+2NC	RJS202-19LA-B-R~67J			

Dimensions

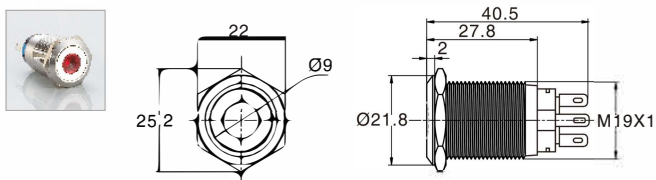
High head ring



Flat head ring



Flat head dot



Domed head ring

