

# RJSMS22E SERIES

MUSHROOM EMERGENCY STOP SWITCH



## Specifications

Operating Temperature	-20~+55°C		
Operating Humidity	45~85%		
Store Temperature	-45~+80°C		
Store Humidity	95%RH		
Degree of Protection	IP65(IEC 60529) IP20(IEC 60529)		
Insulation Resistance	100MΩ	500V DC	
Dielectric Strength	2,500VAC/1 2,000VAC/1		
Vibration Resistance	10~500Hz	0.35mm	50m/s <sup>2</sup>
	10~500Hz	0.35mm	50m/s <sup>2</sup>
	5~55Hz 30Hz	0.5mm 1.5mm	
Shock resistance	150 m/s <sup>2</sup> 1,000 m/s <sup>2</sup>		
	100 m/s <sup>2</sup> 1,000 m/s <sup>2</sup>		
Mechanical Life	250,000		
	5,000,000 1,000,000 250,000 100,000		
	250,000 100,000		
Electrical Life	100,000		
	100,000 50,000		

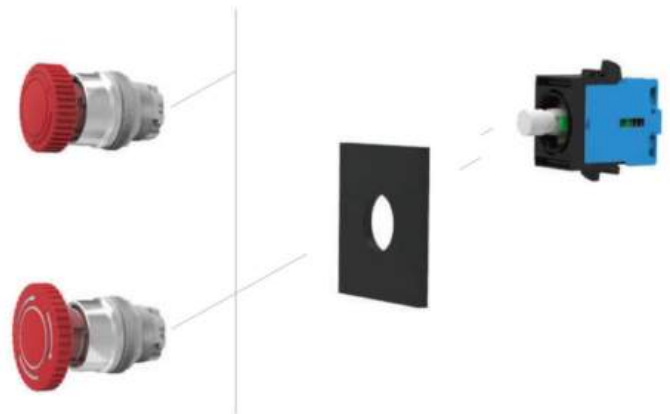
## Contact Ratings

Rated insulation voltage		600V			
Rated current		10A			
Rated voltage		24V	120V	240V	380V
AC (50/60Hz)	(AC-12)	10A	10A	6A	2A
	(AC-15)	10A	6A	3A	1.9A
DC	(DC-12)	8A	2.2A	1.1A	-
	(DC-13)	4A	1.1A	0.55A	-

## LED Ratings

Unit type	Operating Voltage	Current consumption	Color code
LSED-6②	6V AC/DC	10mA(A, R, Y) 7mA(G, PW, S)	A : Amber G : Green PW : White R : Red S : Blue Y : Yellow
LSED-1②	12V AC/DC	14mA(A, R, Y) 13mA(G, PW, S)	
LSED-2②	24V AC/DC	14mA(A, R, Y) 13mA(G, PW, S)	
LSED-H②	110V AC/DC	5mA	
LSED-M3②	230/240V AC/DC	3mA	

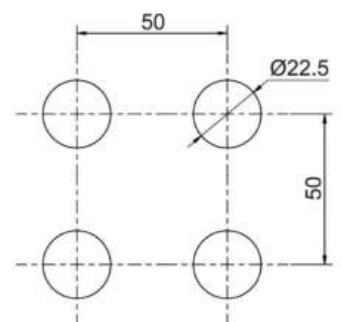
## Combination Mode



## How to order:

Mounting Size	Operation Type	Operation Characteristic	Contact Structure	Color	Voltage
Ø22	Flush Extended E-stop Small E-stop	Flush without LED Flat round Flush with LED Ring round with LED	NO NC 2NO NC NO+NC	<span style="color: red;">■</span> Red <span style="color: green;">■</span> Green <span style="color: yellow;">■</span> Yellow <span style="color: white;">■</span> White <span style="color: blue;">■</span> Blue <span style="color: orange;">■</span> Orange	24VDC 12VDC 6.3VDC 110VAC 220VAC

## Installation Size



# RJSMS22E SERIES

MUSHROOM EMERGENCY STOP SWITCH

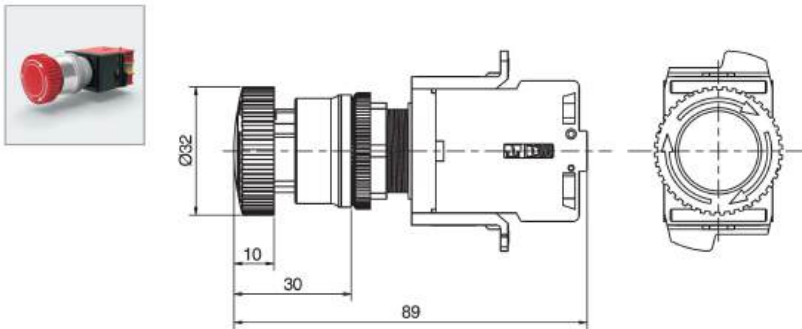


## Ø22 Small E-Stop Switch

Product appearance	Operation	Contact	Model	Colour
	Push-lock Turn Reset	1NC	RJSMS22E -X101	<span style="color: red;">R</span> Red
		2NC	RJSMS22E -X102	

When pressed, the button is locked in the depressed position and is reset when either pulled or turned clockwise.

RJSMS22E MUSHROOM EMERGENCY

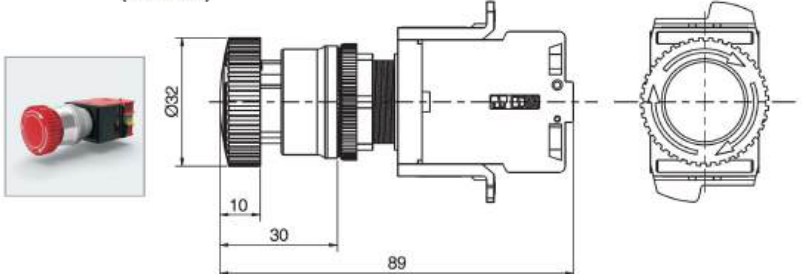


## Ø22 Small E-Stop Switch with LED Illumination

Product appearance	Operation	Contact	Model	Colour	Rated Voltage
	Push-lock Turn Reset	1NC	RJSMS22E-X701	<span style="color: red;">R</span> Red	24VDC 12VDC 3VDC 110VAC 220VAC
		2NC	RJSMS22E-X702		

When pressed, the button is locked in the depressed position and is reset when either pulled or turned clockwise.

RJSMS22E Mushroom Emergency (with LED)



# RJSMS22E SERIES

MUSHROOM EMERGENCY STOP SWITCH

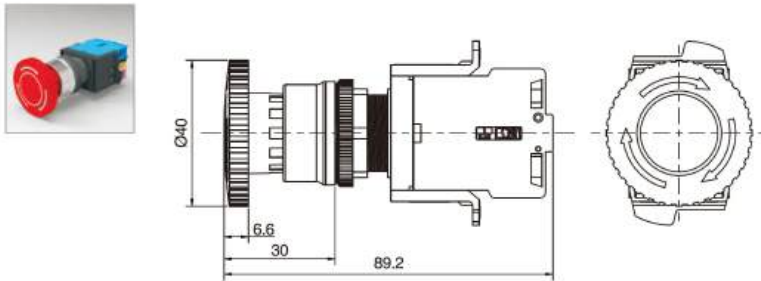


## Ø22 Large E-Stop Switch


Product appearance	Operation	Contact	Model	Colour
	Push-lock Turn Reset	1NC	<b>RJSMS22E-8101</b>	<span style="color: red;">R</span> Red
		2NC	<b>RJSMS22E-8102</b>	

When pressed, the button is locked in the depressed position, and is reset when either pulled or turned clockwise.

### RJSMS22E Mushroom Emergency



## Ø22 Large E-Stop Switch with LED Illumination

Product appearance	Operation	Contact	Model	Colour	Rated Voltage
	Push-lock Turn Reset	1NC	<b>RJSMS22E-8701</b>	<span style="color: red;">R</span> Red	24VDC 12VDC 6.3VDC 110VAC 220VAC
		2NC	<b>RJSMS22E-8702</b>		

When pressed, the button is locked in the depressed position, and is reset when either pulled or turned clockwise.

### RJSMS22E Mushroom Emergency (with LED)

