



### ◆FEATURE

- High-precision rotary type encoder.
- Compact design, long life and high reliability.
- Low cost as compared with optical type.
- Available in a wide variety of line up to meet all user needs.

### ◆APPLICATIONS

- All kinds of level control, tuning and timer setting in audio-visual equipment, ordinary household electric appliances, radio equipment, communications equipment, etc.

11mm Rotary Switch

### ◆ COMMON SPECIFICATIONS

Pulse	Number of detent	Phase difference (msec)	Chattering (msec)	Sliding noise (msec)	Insulation resistance	Dielectric strength	Detent torque (gf · cm)	Rotational life (cycle)
8	0	4	3	3	250V DC 100Ω MIN	300V AC 1 min	30~200	15,000
	16							
15	0	6	2	2				
	30							
16	0	4	3	3				
	16							
20	0	4	2	2				
	20							

### ◆ SWITCH SPECIFICATIONS

Rating	Contact resistance	Insulation resistance	Dielectric strength	Contact arrangement	Travel of switch (mm)	Operating force (gf)	Operating life(cycle)
DC 5V10 mA	100 mΩ	250V DC 100Ω MIN	300V AC 1 min	PUSH ON	0.5	600±300	20,000
					1.5	400±200	

### ◆BUSHING & SHAFT TYPE


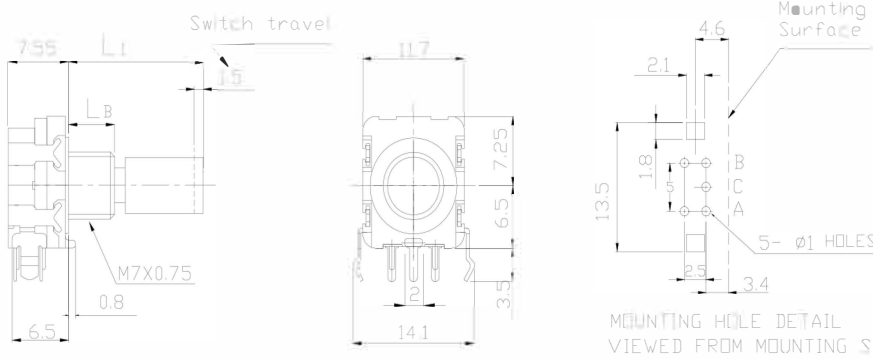

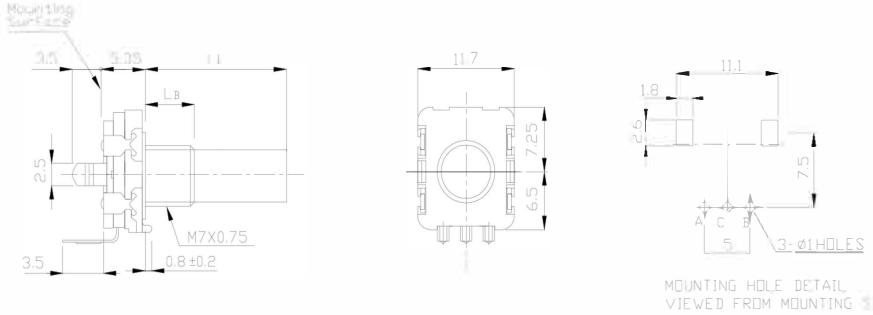

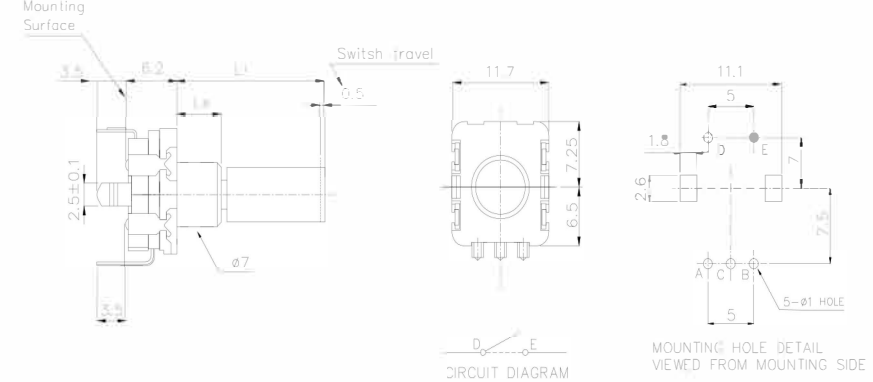

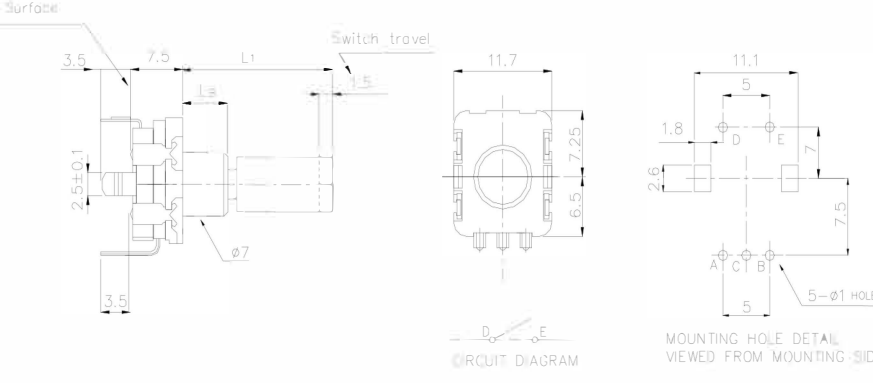
Bushing	Flat	Knurled

## ◆ STANDARD DIMENSION OF SHAFT AND BUSHING

Dimension	LB	L1
	5	15 · 20
	7	20 · 25
	5	15 · 20
	7	20 · 25

**DIMENSIONS** Unit : mm

Model	Dimensions		
<b>RJSENCODE-11B20202</b> horizontal type 			<p>MOUNTING HOLE DETAIL VIEWED FROM MOUNTING SIDE</p>
<b>RJSENCODE-11B20212</b> with push on switch -0.5mm horizontal type 			<p>MOUNTING HOLE DETAIL VIEWED FROM MOUNTING SIDE</p>

Model	Dimensions
<p><b>RJSENCODE-11B2022</b> with push on switch –1.5mm horizontal type</p> 	 <p>7.55, <math>L_1</math>, 1.5, 11.7, 7.25, 6.5, 3.5, 0.8, M7X0.75, 6.5, 141, 13.5, 4.6, 2.1, 1.8, 5, 5, 3.4, 5-<math>\phi 1</math> HOLES, MOUNTING SURFACE, SWITCH TRAVEL, MOUNTING HOLE DETAIL VIEWED FROM MOUNTING SIDE</p>
<p><b>RJSENCODE-11B20204</b> vertical type</p> 	 <p>3.5, 5.25, 1.1, 11.7, 7.25, 6.5, 3.5, 2.5, 0.8<math>\pm 0.2</math>, M7X0.75, 3.5, 11.1, 1.8, 2.6, 5, 7.5, 3-<math>\phi 1</math> HOLES, MOUNTING SURFACE, SWITCH TRAVEL, MOUNTING HOLE DETAIL VIEWED FROM MOUNTING SIDE</p>
<p><b>RJSENCODE-11B20214</b> with push on switch –0.5mm vertical type</p> 	 <p>3.5, 8.2, <math>L_1</math>, 0.5, 11.7, 7.25, 6.5, 2.5<math>\pm 0.1</math>, 3.5, <math>\phi 7</math>, 11.1, 1.8, 2.6, 5, 7, 7.5, 5, 5-<math>\phi 1</math> HOLE, MOUNTING SURFACE, SWITCH TRAVEL, MOUNTING HOLE DETAIL VIEWED FROM MOUNTING SIDE, CIRCUIT DIAGRAM</p>
<p><b>RJSENCODE-11B20224</b> with push on switch –1.5mm vertical type</p> 	 <p>3.5, 7.5, <math>L_1</math>, 1.5, 11.7, 7.25, 6.5, 2.5<math>\pm 0.1</math>, 3.5, <math>\phi 7</math>, 11.1, 1.8, 2.6, 5, 7, 7.5, 5, 5-<math>\phi 1</math> HOLE, MOUNTING SURFACE, SWITCH TRAVEL, MOUNTING HOLE DETAIL VIEWED FROM MOUNTING SIDE, CIRCUIT DIAGRAM</p>