

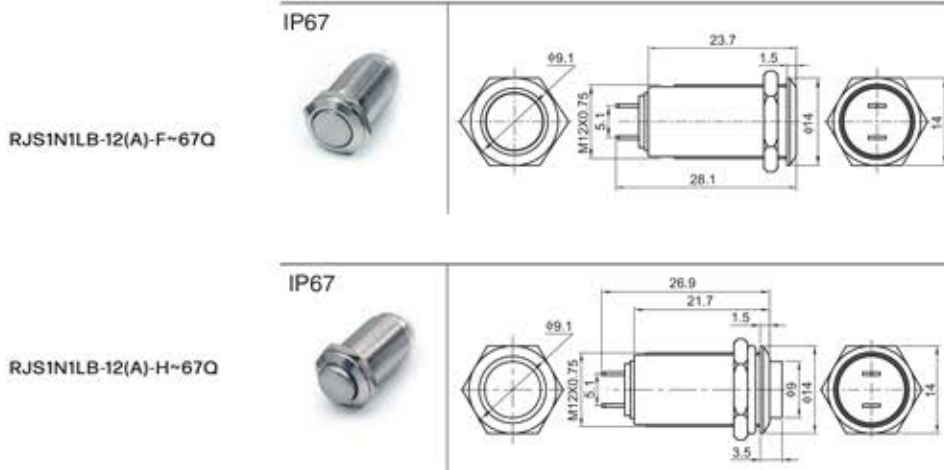


- Key Features:
 - Ø 12mm Panel cut out
 - Momentary / Latching
 - Non-Illuminated / LED Illuminated
 - IP67 rated (from the front)

- Non-Illuminated Push Button long body Switch

Product Appearance	LED	Operation	Contact	Part Number	Material	Rated Voltage / Current
	Without LED	Momentary or Latching	1NO	RJS1N1LB-12(A)-F~67Q	Stainless Steel Black Anodised Aluminium	AC:250V/3A LED AC/DC: 1.8-250V <20mA
				RJS1N1LB-12(A)-H~67Q		

Drawing



■ LED Illuminated long body Switches

Product Appearance	LED	Operation	Contact	Part Number	Material	LED Colour	Rated Voltage/Current
	With LED	Momentary or Latching	1NO	RJS1N1LB-12L(A)-F-D~67Q	Stainless Steel Black Anodised- Aluminium	<ul style="list-style-type: none"> ■ Red ■ Green ■ Yellow W White ■ Blue ■ Orange 	AC:250V/3A LED AC/DC: 1.8-250V <20mA
				RJS1N1LB-12L(A)-H-D~67Q			
				RJS1N1LB-12L(A)-F-R~67Q			
				RJS1N1LB-12L(A)-H-R~67Q			
				RJS1N1LB-12L(A)-F-C5~67Q			
				RJS1N1LB-12L(A)-H-C5~67Q			

Drawing

