

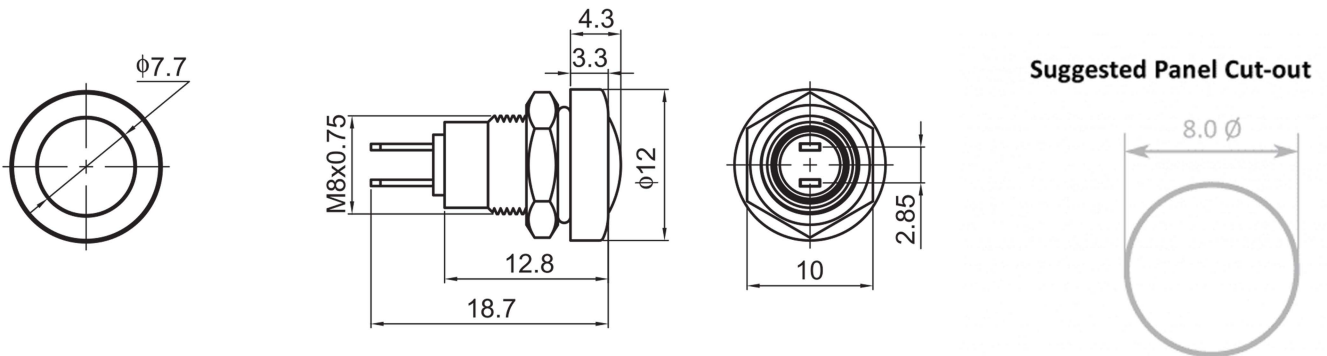
Product Appearance	Led Type	Operation	Contact	Model	Material finish	Switching Current
	Without LED	Momentary	1NO	RJS1N1-8-B-(NP/BS)-65Q	Brushed Steel Nickel Plate	1A/24VDC

SWITCH STRUCTURE

Type	Sign	Drawing	Explanation
No.A			With two silver point terminal of 100% Double power is slow moving contact switch

Mechanical life	≥ 50,000cycles
Electrical life	≥ 20,000cycles
Terminal Type	Pin Terminal (1.5X0.5)
Contact resistance	≤50mΩ
Insulation resistance	≥1000mΩ
Dielectric Strength	2000VAC
Operation Temperature	-20°C~+55°C

DRAWING



SELECTOR GUIDE

