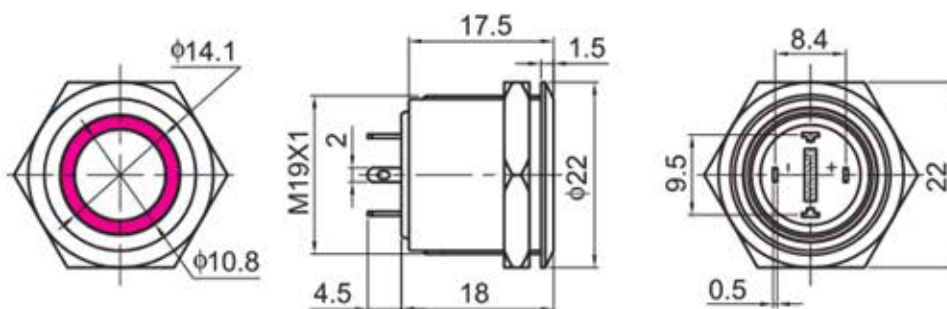


■ 19mm Illuminated Push Button Switch

Product Appearance	Part Number	Operations	Contact	Material	Colour	Rated Voltage / Current
	RJS1N1-19L-F-R~65Q	Momentary	1NO1NC	Stainless Steel Black Anodised Aluminium	<ul style="list-style-type: none"> R Red G Green Y Yellow W White B Blue O Orange 	LED NON-RESISTED 1.8 - 3V Resisted 5V / 12V / 24V 110 VAC / 250VAC
	RJS1N1-19L-H-R~65Q					

■ Drawing

IP65



IP65

