

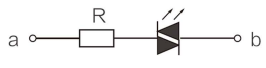
- Hole sizes: 16mm
- Protection level: IP65/IP67/IK10
- Contact silver-plated gold: 1.5μ
- LED super bright cold light source lamp display
- Customizable pattern, color and size
- Comply with IEC60947-5-1 GB14048.5 standard

Specifications

Degree of Protection	IP67 /IP65
Contact Type	1NO
Maximum Voltage	250V AC/DC
Thermal Current	5A
Minimum Applicable Load	5V AC/DC, 1mA
Contact material	Silver plated glod
Terminal Style	.110" Solder / Quick Connect
Operating Temperature	-25°C to +55°C

Operating Humidity	45 to 85% RH
Contact Resistance	50mΩ
Insulation Resistance	100mΩ minimum (500VDC megger)
Vibration Resistance	10 to 55Hz, amplitude 1.5mm p-p
Degree of Protection	>10g
Electrical Life	100,000 operations minimum (at full rated load)
Mechanical Life	Latching : 1,000,000 operations minimum Momentary: 1,000,000 operations minimum
Dielectrical Life	Switch Unit: 2,000V AC, 1 min. between live/dead part and terminals of different poles; 1,000V AC, 1 minute between terminals of the same pole; 1,500V AC, 1 minute between contact and lamp terminals. Illumination Unit: 2,000V AC, 1 min. between live part/ground
Soldering Temperature	20W/5 seconds or 260°C/3 seconds

Lamp Ratings

Lamp Type	LED lamp(AC/DC)
Rated Voltage	3V,6V,12V,24V,36V,48V,110V,220VAC/DC
Rated Current	15mA - 20mA
LED Color	R G Y O B W
Life	40000 hours(Reference)
Lamp Circuit diagram	 <p>Using AC/DC LED lamp, the terminals have no difference of anode and cathode</p>

DC LED and other voltage can be made to order.

Contact Ratings

Rated insulation voltage		250V			
Heating current I _{th}		3A Temperature does not exceed the maximum allowed current			
Rated voltage		24V	110V	220V	
Rated current	AC 50/60Hz	Resistive load	2A	-	-
		Inductive load	-	1A	0.5A
	DC	Resistive load	0.7A	0.2A	0.1A
		Inductive load	-	-	-
Contact material		Silver nickel oxide		Silver Plated Gold	

Switching Operation

Type	Sign	Diagram	Terminal Description
No.3			

Explanation: Using two terminals, double-break and slow-motion contact. Y type NC switch can be made to order for individual product, pls check the product description.

Select and Key Handle Position

Operation		Contact	↙	↑	↗
90° 2 2 Positon	 Maintained	SPDT			
	 Momentary				
90° 3 3 Positon	 Maintained	DPDT			
	 Momentary				

Drawing

Product appearance	Illuminated type	Operation	Contact	Model	Colour	Rated Voltage
 Selector Switch	Without LED	90° 2 2 Positon	SPDT	-411	R Red	24VDC
		90° 3 3 Positon	DPDT	-412	G Green	12VDC
		90° 3 3 Positon	DPDT	-512	Y Yellow	6.3VDC
	With LED	90° 2 2 Positon	SPDT	-471	W White	110VAC
		90° 2 2 Positon	DPDT	-472	B Blue	220VAC
		90° 3 3 Positon	DPDT	-572		

