

**Feature :**

- Encoder Operation Mode: 15 position output
- VR Operation Mode: 15 position output
- One key output other than the scroller output
- Bi-color LED illuminated available

**Application :**

- Audio / video equipments
- Consumer products
- Computer products
- Communication equipments
- Home appliances

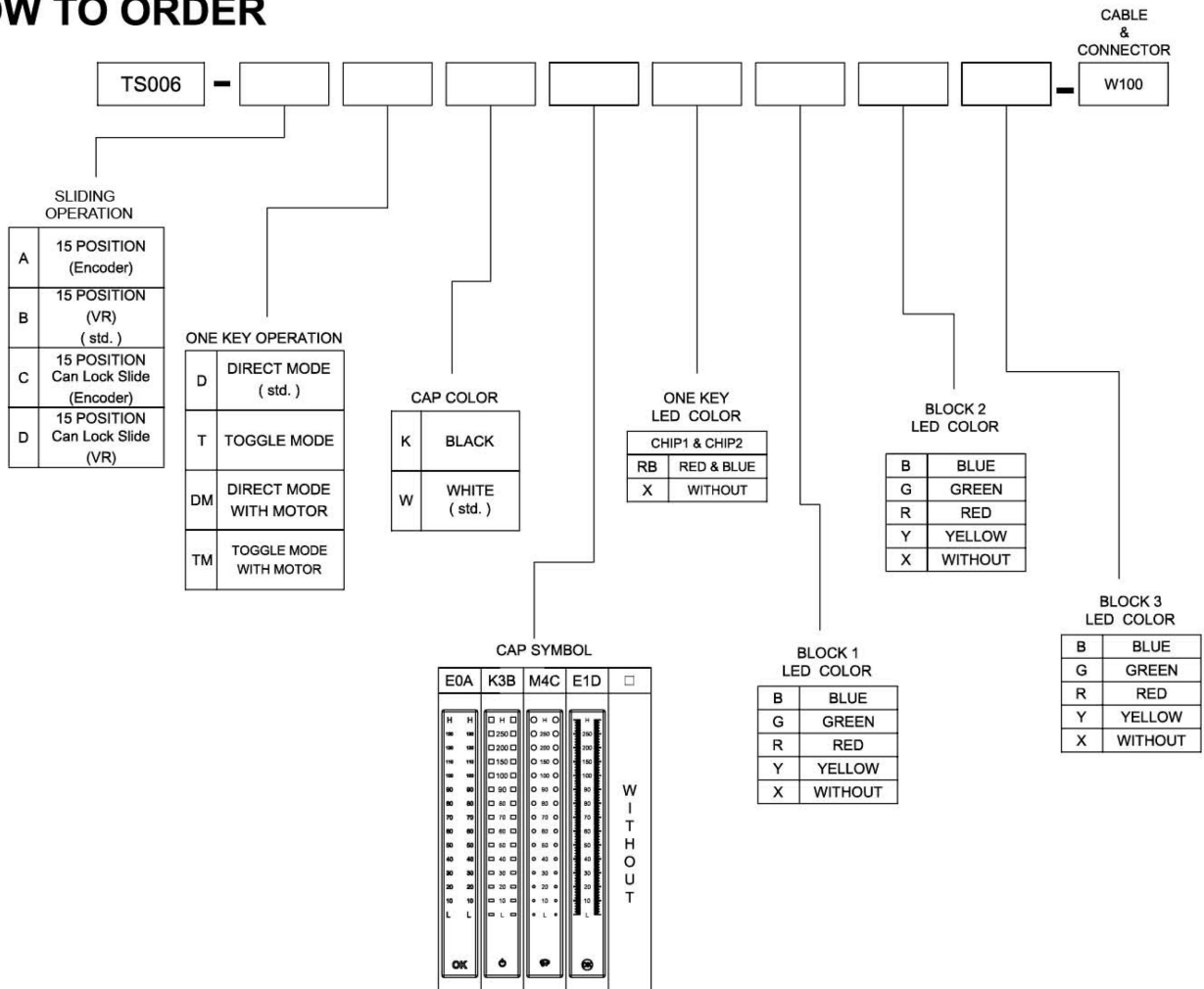


SWITCH SPECIFICATIONS							
POLE - POSITION		Two-Channel					
CIRCUIT FEATURE		Capacitive PWM signal					
OPERATING TEMPERATURE RANGE		-20°C ~ 70°C					
ELECTRICAL CHARACTERISTICS							
Symbol	Parameter	Test Conditions		MIN.	TYP.	MAX.	Units
		V <sub>DD</sub>	Conditions				
V <sub>CC</sub>	Input Voltage	-	-	0	-	28	V
V <sub>DD</sub>	Operating Voltage	-	-	2.8	5.0	5.5	V
I <sub>DD</sub>	Operating Voltage - No Load	3.3V	3.3V	-	2	3	mA
V <sub>OH</sub>	Output High Voltage	3.3V	I <sub>OH</sub> = - 4.0mA	2.1	-	-	V
V <sub>OL</sub>	Output Low Voltage	3.3V	I <sub>OH</sub> = 8.0mA	-	-	0.9	V
V <sub>IL</sub>	Input ports	3.3V	-	-	200	-	Hz

LED SPECIFICATIONS								
ATTENTION LEDs are Electrostatic Sensitive devices 	Unit	Value / LED Color						
		Blue	Pure Green	Red	Yellow	Orange	Green	White
LUMINOUS INTENSITY@20mA I <sub>v</sub>	mcd	150	1000	800	350	700	300	300-1500
Dominant Wavelength λ <sub>D</sub>	nm	470	525	630	590	601	570	/
FORWARD VOLTAGE@20mA V <sub>f</sub>	V	3.7	3.5	2	2.1	2.1	2.1	3.5

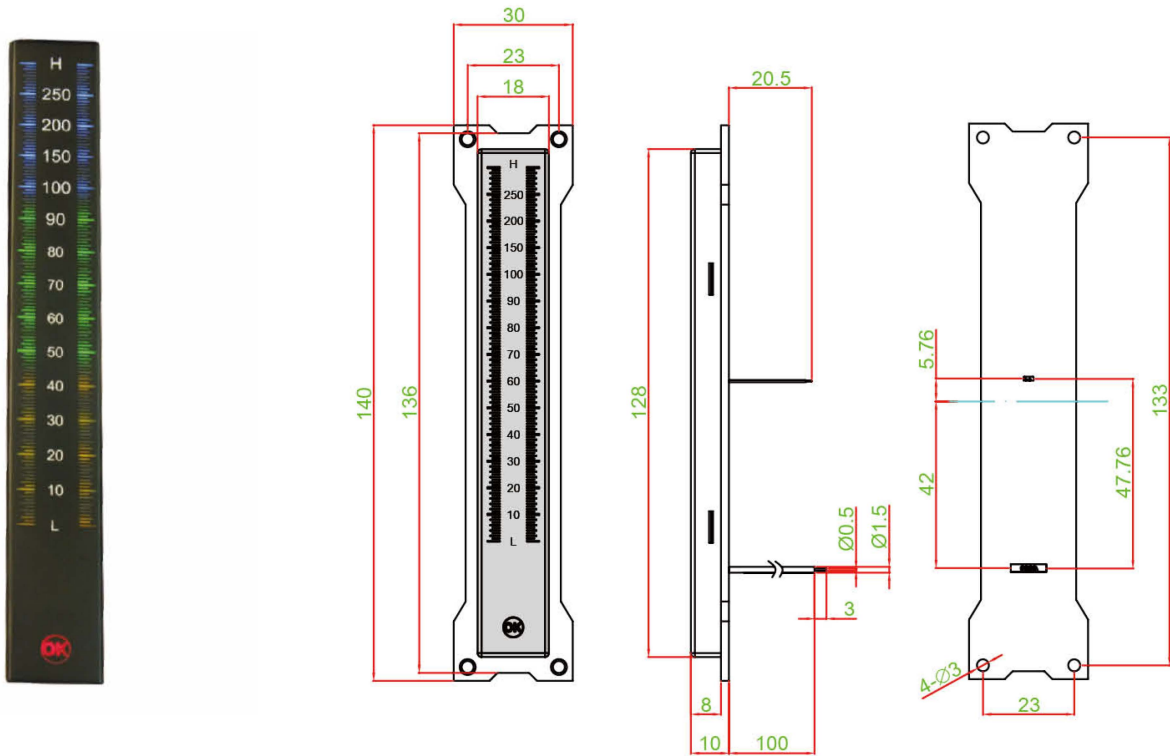
■ A single bin cannot be ordered, please contact us in advance if you need a particular bin sorting before placing your order to clarify the lead time, MOQ and pricing

## HOW TO ORDER

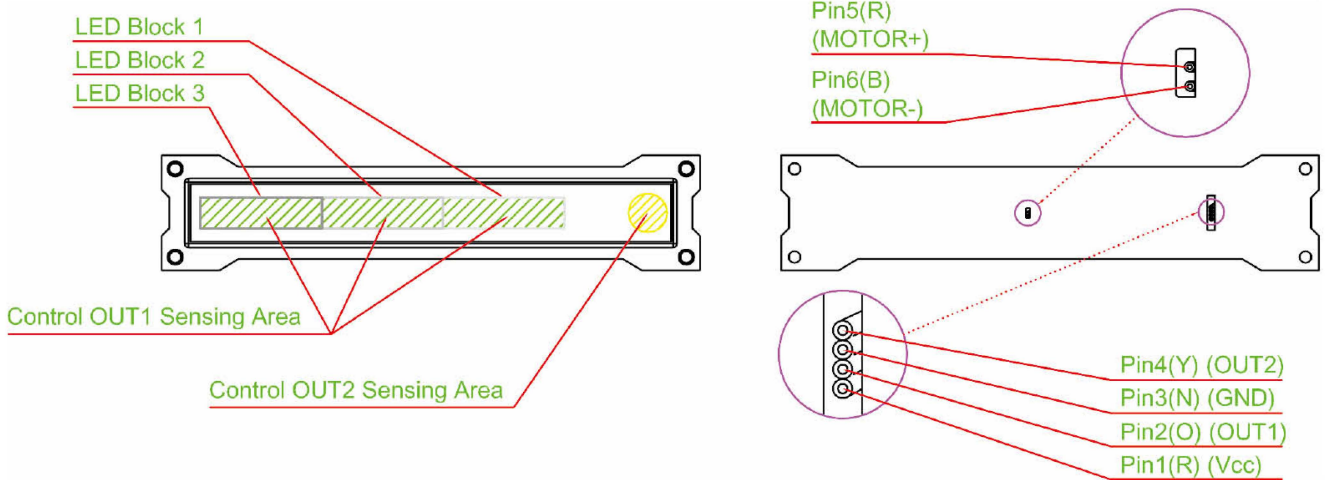


## DIMENSION

• TS0006-BTMKE1DRBYGB-W100



## CIRCUIT



## PANEL CUT OUT

