



Feature -

- water proof IP67 sealed panel mount
- full color LED illuminated available

Application -

- home appliances
- kitchen appliances
- communication equipments
- vending machines and switches
- used in polluted environment

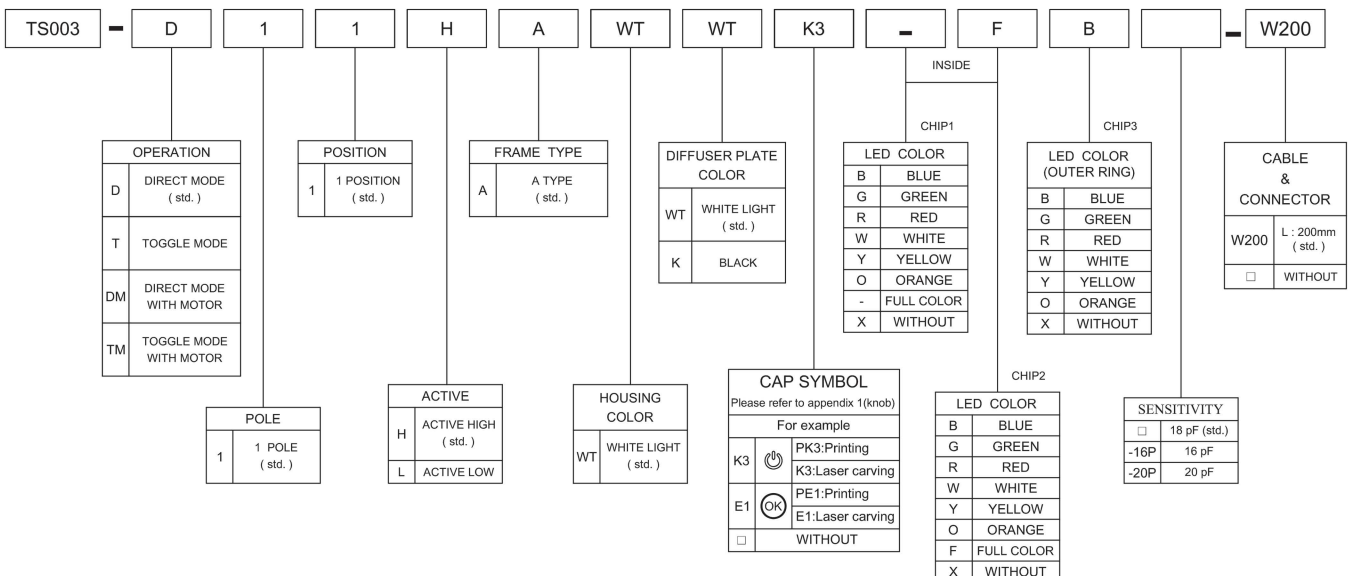
► SPECIFICATIONS

SWITCH SPECIFICATIONS						
POLE - POSITION		One-Chanel				
CIRCUIT FEATURE		Capacitive analog signal				
OPERATING TEMPERATURE RANGE		-20°C ~ 70°C				
SEALING		IP67				
ELECTRICAL CHARACTERISTICS						
Symbol	Parameter	Conditions	MIN.	TYP.	MAX.	Units
Vcc	Operating voltage		2.0	3.0	5.5	V
F	System oscillator	Vcc = 3V		16		KHz
F _{SEN}	Sensor oscillator	Vcc=3V, Output no load		1M		Hz
I _{OP}	Input ports	Vcc=3V, Output no load		1.5	3.0	uA
V _{IL}	Input ports	Input low voltage	0		0.2	V
I _{IH}	Operating current	Input high voltage	0.8		1.0	V
I _{OL}	Output port sink current	Vcc=3V, VOL=0.6V		8		mA
I _{OH}	Output port source current	Vcc=3V, VOH=2.4V		-4		mA
T _R	Output response time	Vcc=3V			220	mS
R _{PH}	Input pin pull-high resistor	Vcc=3V		35K		Ω
R _{PL}	Input pin pull-low resistor	Vcc=3V		28K		Ω

LED SPECIFICATIONS						
ATTENTION LEDs are Electrostatic Sensitive devices		Unit	Value / LED Color			
			Ultra Green	Ultra Yellow	Ultra Red	
FORWARD CURRENT	I _f	mA	20	20	20	
REVERSE VOLTAGE	V _r	V	5.0	5.0	5.0	
REVERSE CURRENT	I _r	μA	10	10	10	
FORWARD VOLTAGE@20mA	V _f	V	2.1-2.5	2.0-2.5	2.0-2.5	
LUMINOUS INTENSITY@20mA	I _v	mcd	60	120	150	

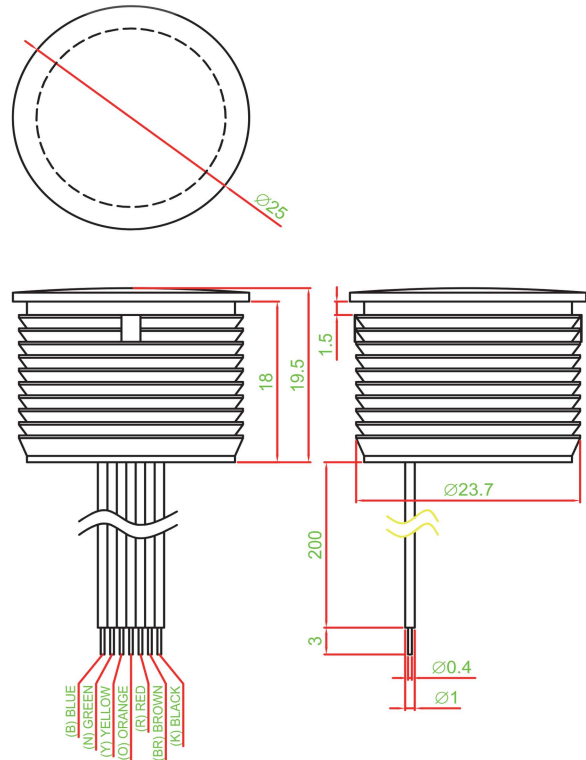
■ Physical and electrical information of LED will be provided upon customer's request on switches.

► HOW TO ORDER

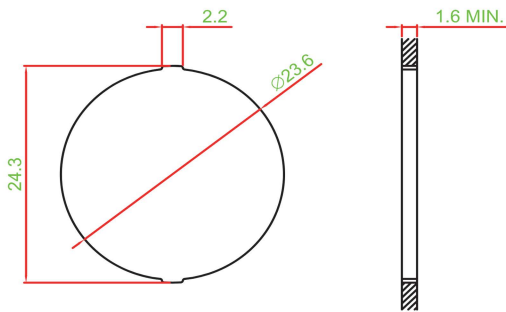


► DIMENSION & FRAME TYPE

TS003 - D11HAWTWT□□□□-W200



► PANEL CUT OUT

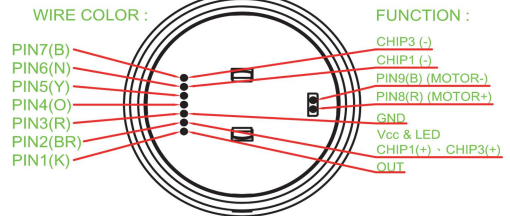


► MATERIAL

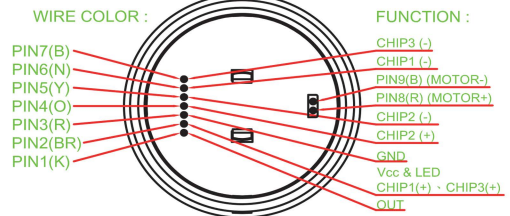
- COVER : PC
- ACTUATOR : POM
- BASE FRAME : PA + GF
- TERMINAL : PHOSPHOR BRONZE SILVER PLATING
- SPRING : PHOSPHOR BRONZE SILVER PLATING

► SCHEMATIC

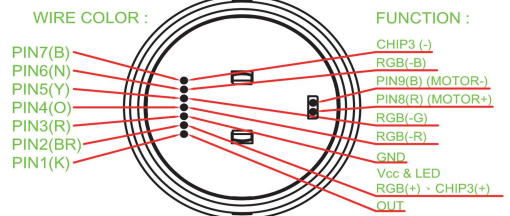
SINGLE COLOR



TWO COLOR



FULL COLOR



	0	1	2	3	4	5	6	7	8	9	10	11	12	13	14	15	16	17	18	19
A	0	1	2	3	4	5	6	7	8	9	10	11	12	13	14	15	16	17	18	19
B	A	B	C	D	E	F	G	H	I	J	CH1	CH2	TMSL	SPY	L-KEY	CUT	TAPE	REC	EXP	PROG
C	K	L	M	N	O	P	Q	R	S	T	REPLAY	RET1	RET2	KEY ON	AUTO TAKE	θ_1	θ_2	θ_3	θ_4	0
D	U	V	W	X	Y	Z	POWER	ON OFF	ON	OFF		LAMP A	LAMP B	LAMP C	LAMP D	LAMP E	LAMP F	LAMP G	LAMP H	LAMP I
E	OK		Auto	Enter	Start	STOP	OPEN	CLOSE	Exit	Move										
F	SET	Reset	Light	Alarm	Menu	Next	Back	Delete	Motor	Save						\checkmark_1	\checkmark_2			
G	Up	Down	Right	Left	Test	End	Insert	Lock	Print	+/-										
H	ESC	BC.	HOME	Health	D-LED 2	OC GENIE	VIDEO INPUT	clr CMOS	Green Power	Save OK										
I				F1	F2	F3	F4	F5	F6	F7										
J	F8	F9	F10	F11	F12	F13	F14	IN 1	IN 2	IN 3										
K	IN 4	IN 5	IN 6																	
L	+	-	x	+	=	↑	→	▲	▶	▶										
M																				
N	↑	→	▲	◀	▲	▶	◀	▶	◀	▶										
O	■		↔	◀	▶	▶	▶	▶	▶	▶										
P				x	✓		Config.	TIME LINE	ME1	ME2										
Q	ME3	ME4	BGND 3D DVE1	BGND 3D DVE2	BUS COLOR	ME BUTTON LINK	*	INSERT	WIPE											
R	⏮	ALL		VP		COPY		RECORD MODE	↕											
S		♥	MUTE																	
T																				
U																				
V			OC				CROSS WIND	AMMO TEMP	BARO PRESS	AIR TEMP										
W	BORE-SIGHT	CANT	LEAD	RANGE	MRS	ZERO	TEST	UD	LR											
X		Disp	MF	CALL		BAND	SETUP	MODE	LINK	FUNC.										
Y	SHIFT					DEL														
Z				PUN	20	30	CH1	CH2	CH3	COM										