



## General Description

Combination mechanical button switch and OLED display.  
Control OLED displaying through I2C protocol interface.

### Feature

- I2C interface
- 0.42" High resolution OLED display
- Mechanical push button switch
- Smooth and Silent operation
- Switch Long operating Life
- OLED module keycap available for replace

### Application

- Industrial equipment
- Pro-Audio & Pro-Video
- Machine tool
- Medical equipment
- Robot
- Transportation
- 3C
- High-end Technology

## Specifications

### SWITCH

Current Rating	:100mA
Voltage Rating	:12VDC
Contact Resistance	:100m Ohm (initial)
Insulation Resistance	:100M Ohm Min.
Operating Force	:200gf ± 50gf
Total Travel	:4.5mm ± 0.50mm
Mechanical Life	:5,000,000 cycles Min.
Function	:Momentary(SPST)
Solder Specifications	:260 °C for 3 seconds
Operating Temperature	:-40°C ~ +80 °C

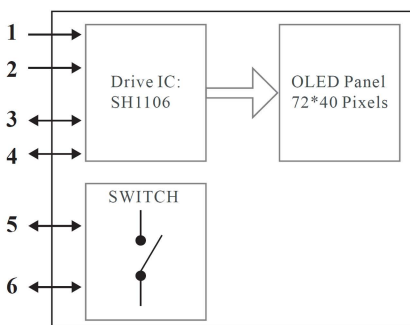
### OLED

Oled type	:White & Black
Driver IC	:SH1106
Interface	:I2C
Drive duty	:1/40 duty
Display Format	:72*40 Pixels
Input voltage	:3.3V
Active Area	:9.2(W)mm*5.2(H)mm
Dot Size	:0.108(W)mm*0.11(H)mm
Dot Pitch	:0.128(W)mm*0.13(H)mm
Life time (450cd/m²)	:1,500 hour

### MATERIALS

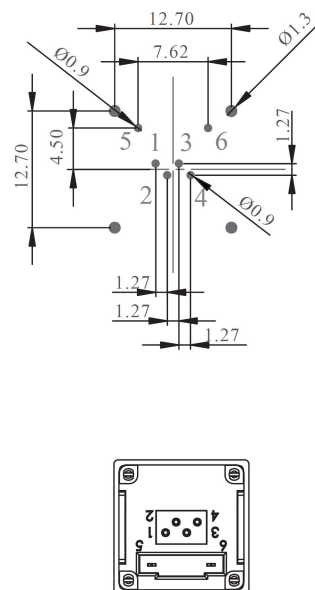
Cap	:Acrylonitrile Butadiene Styrene (ABS)
Lens	:Polycarbonate (PC)
Reflector	:Polyoxymethylen (POM)
Base	:Polyamide (PA)
Moving contact	:Phosphor Bronze with gold plating
Terminal	:Brass with gold plating
Spring	:SUS

## Circuit Diagram

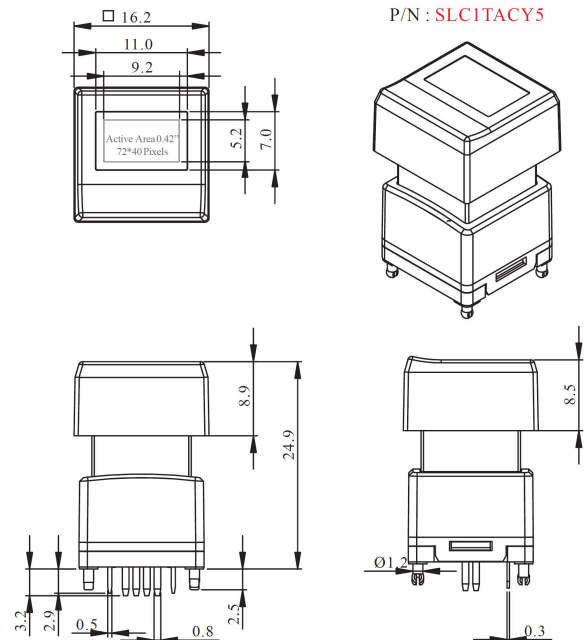


Pin	Name	Function	Level
1	GND	Ground for System.	0V
2	VDD	Power Supply for System	3.3V
3	SCL	I2C bus clock signal	H/L
4	SDA	I2C bus data signal	H/L
5	SW.COM.	Switch Common	
6	SW.NO.	Switch Normal Open	

## PCB Layout



## Dimensions



P/N : SLCITACY5