

General Specifications

Current Rating	:1 mA
Voltage Rating	:10 VDC
Dielectric Withstanding Voltage	:250VAC for 1 minute
Contact Resistance	:300m Ohm Max.(initial)
Insulation Resistance	:100M Ohm Min.
Operating Force	:Rotation Max. 60gf-cm Push Max. 220gf±50gf
Mechanical Life	:Rotation - Min. 200,000 operations (C.W. 100,000 & C.C.W 100,000) Push - Min. 1,000,000 operations
Operating Temperature	:0deg.~+40 deg.

Feature

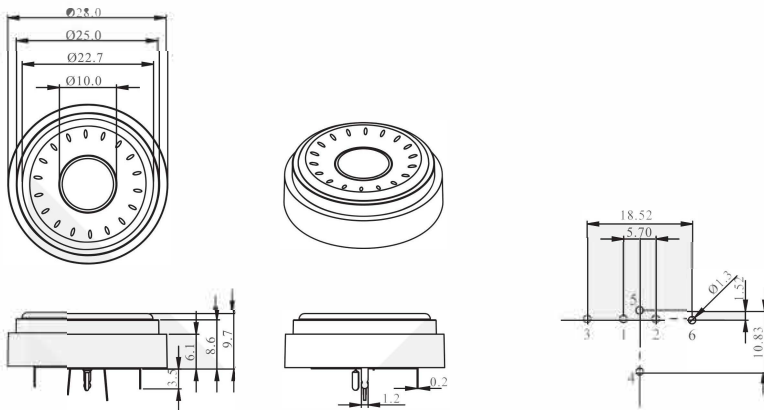
- Rotary encoder
- Tactile switches
- LED Illuminated
- Marking service



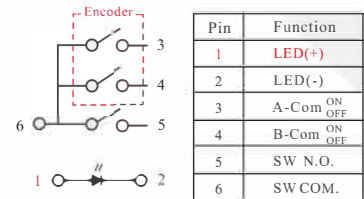
Materials

Rotary Cap	:Acrylonitrile Butadine Styrene (ABS)
Push Cap	:Polycarbonate (PC)
Terminal	:Brass with silver plating
Base	:Polyamide(PA)

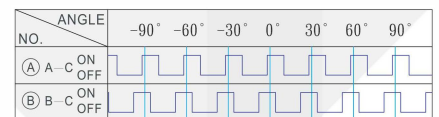
Dimension & PCB layout



Contact Configuration



Rotation



CW ← → CCW

Numbers of detent : 24

Pulse / Rotation : 12 pulse / 360°

How to Order

Module			
Part No	RJS - SFA4551-Z	RJS - SFA5441-Z	RJS-SFA7552-Z
Description	White LED Black cap(Push) Black rotray cap Marking 1	Pure Green LED White cap(Push) White rotray cap Marking 1	Blue LED Black cap(Push) Black rotray cap Marking 2

※ Color is subject to actual product.

※ We provide Marking service.