

RJSSF66BA-Z

General Description

The RJSSF66BA-Z is serial-interfaced push-switch provides microprocessors with up to 9 keys. Each key be configured as a push-pull logic output capable of sinking 10mA of LED at 3V

The SF66BA is controlled through an SPI - compatible 4-wire serial interface, only need 6-pin connectors to use.

General Specifications

Circuit : 9 key switch & 9 leds
by SPI interface

Total Travel : $\pm 1.0\text{mm} \pm 0.5\text{mm}$

Mechanical Life : 200,000 cycles Min.

Operating Temperature : $-25\text{ deg.} \sim +60\text{ deg.}$

Feature

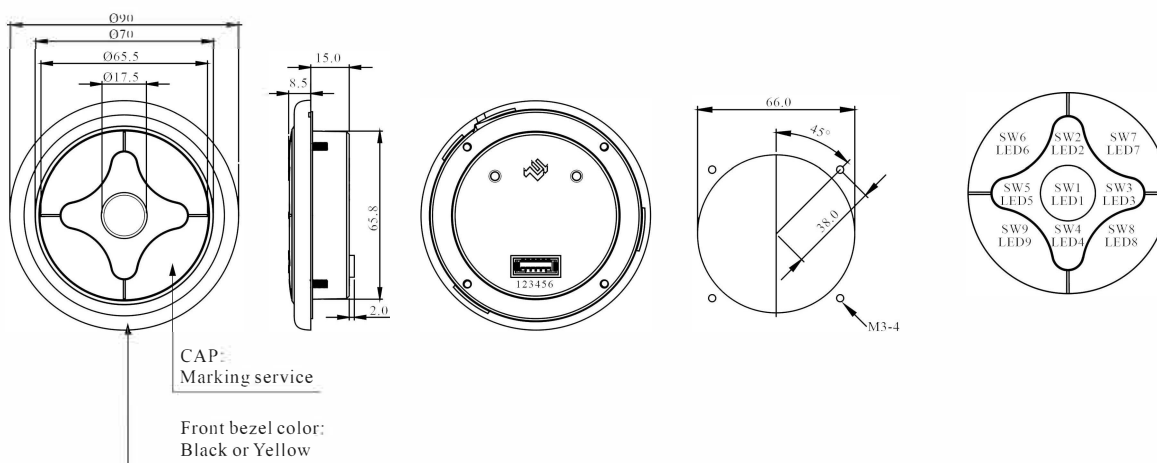
- Panel cutting O66mm
- Front Panel IP65
- 9 Keys Navigation Switches
- Blue LED Illuminated
- SPI interface
- Marking service
- Made by order please contact us direct.

Application

- Industrial equipment
- Public building
- CNC Machine tool
- Medical equipment
- Robot
- Transportation



Dimension & Panel Cutting



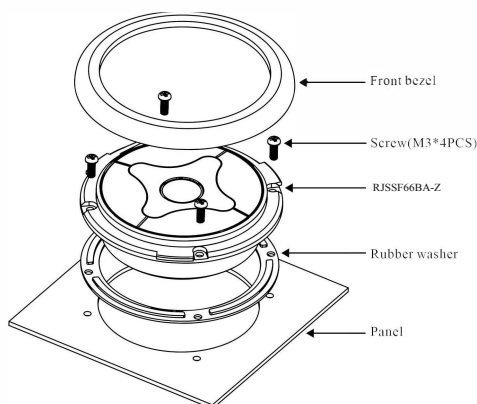
Pin Description

Pin	Name	Function
1	VCC	Positive Supply Voltage 3-5.5V
2	CS	4-Wire Chip-Select Input, Active-Low
3	DOUT	4-Wire Serial data output
4	GND	Ground
5	DIN	4-Wire Serial Data Input
6	SCLK	4-Wire Serial Clock Input

The Connector for RJSSF66BA-Z module similar JST B6B-PH-SM4-TB

Applicable Connector:
Conductor Pitch / 2.0mm
Conductor Width: / 0.5mm

Installation Notes



Option

