

SF42EA-Z 5 WAY MODULE

General Specifications

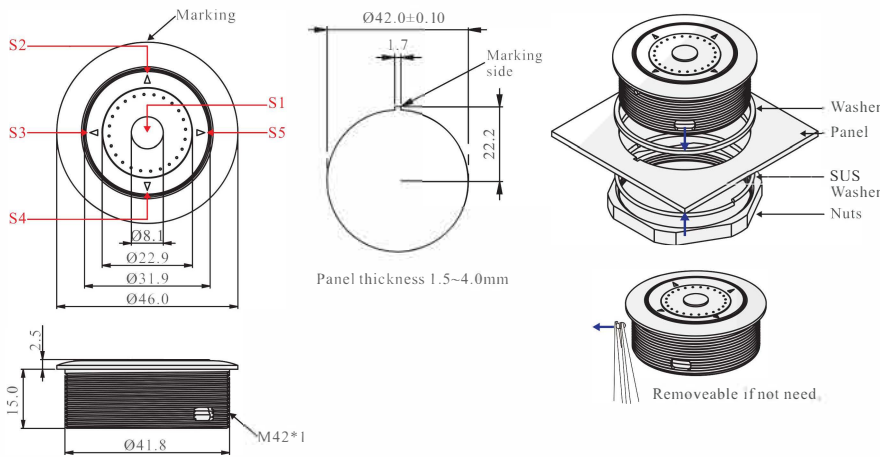
Current Rating	:1 mA
Voltage Rating	:10VDC with Resistive Load
Vibration Resistance	:10~55Hz, displacement 0.75mm(p-p)
Contact Resistance	:Max. 300mΩ (Measured by ohm meter-Open Voltage <1 VDC, Driver current-100mA)
Insulation Resistance	:Min. 100MΩ(100VDC/ minute)
Operating Force	:5 way switch Max. 300gf Encode Torque Max. 60gf-cm
Mechanical Life	:Rotation - Min. 2,000,000 operations (C.W. 1,000,000 & C.C.W 1,000,000 operations) Push - Min. 1,000,000 operations
Operating Frequency	:Rotation- Max. 30 operations per minute Push – Max. 120 operations per minute
Operating Temperature	:0 deg.~ 40 deg.



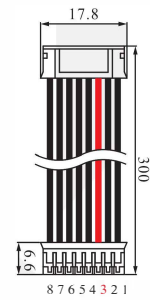
Materials

Cap	:PC
Housing	:Aluminum
Nuts	:Aluminum
Base	:ABS
SUS Washer	:SUS
Washer	:EVA

Dimension & Panel Cutting & Installation Notes

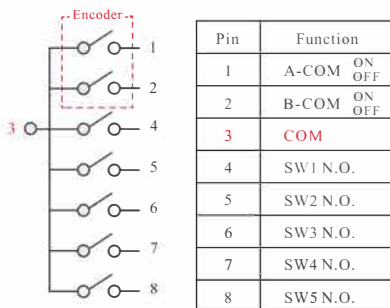


Option

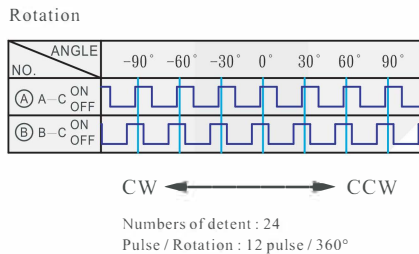


Cable: YCW015

Contact Configuration



The Connector for SF42EA module similar JST B8B-PH-SM4-TB
Applicable Connector:
Conductor pitch / 2.0mm
Conductor width / 0.5mm



How to Order

Module		
Part No	SF42EA40-Z	SF42EA55-Z
Description	5 way switch Encoder White cap Silver Housing	5 way switch Encoder Black cap Black Housing

※ Color is subject to actual product.