

SF39EA/SF39EB Series

General Specifications

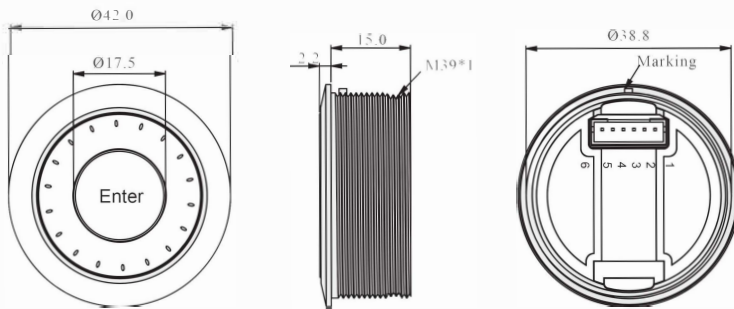
| | |
|---------------------------------|---|
| Current Rating | :1 mA |
| Voltage Rating | :10 VDC |
| Dielectric Withstanding Voltage | :250VAC for 1 minute |
| Contact Resistance | :300m Ohm Max.(initial) |
| Insulation Resistance | :100M Ohm Min. |
| Operating Force | :Rotation Max. 60gf·cm Push Max. 220gf±50gf |
| Mechanical Life | :Rotation - Min. 200,000 operations (C.W. 100,000 & C.C.W 100,000) Push - Min. 1,000,000 operations |
| Operating Frequency | :Rotation - Max. 30 operations per minute Push -Max. 120 operations per minute |
| Operating Temperature | :0deg.~+40 deg. |



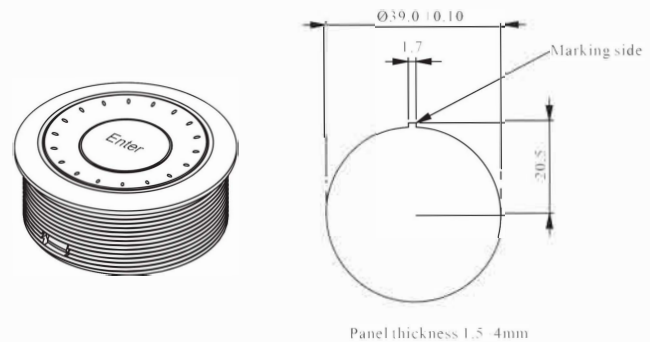
Materials

| | |
|------------|-----------------------------|
| Rotary Cap | :Polyamide (PA) |
| Push Cap | :Polycarbonate (PC) |
| Housing | :Aluminum |
| Nuts | :Polyamide (PA) |
| Base | :Polyamide (PA) |
| Connector | :PA, Brass with Tin plating |

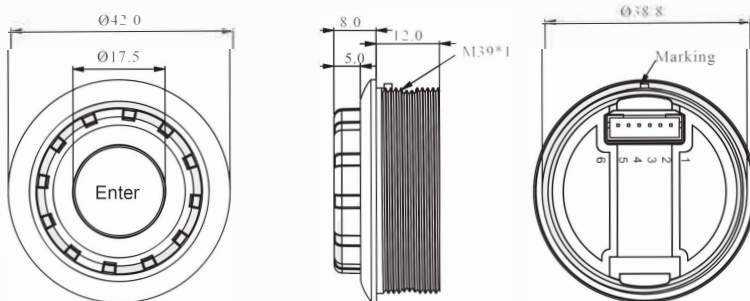
Dimension SF39EA



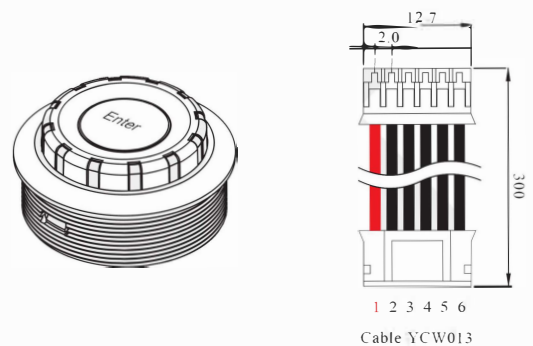
Panel Cutting



Dimension SF39EB



Option



SF39EA/SF39EB Series

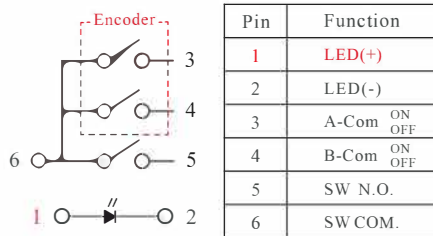
General Specifications

| | |
|---------------------------------|---|
| Current Rating | :1 mA |
| Voltage Rating | :10 VDC |
| Dielectric Withstanding Voltage | :250VAC for 1 minute |
| Contact Resistance | :300m Ohm Max.(initial) |
| Insulation Resistance | :100M Ohm Min. |
| Operating Force | :Rotation Max. 60gf-cm Push Max. 220gf±50gf |
| Mechanical Life | :Rotation - Min. 200,000 operations (C.W, 100,000 & C.C.W 100,000) Push - Min. 1,000,000 operations |
| Operating Frequency | :Rotation - Max. 30 operations per minute Push -Max. 120 operations per minute |
| Operating Temperature | :0deg.~+40 deg. |



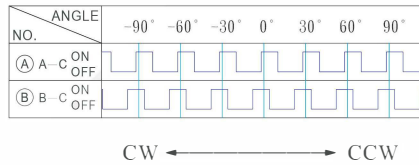
| | |
|------------|------------------------------|
| Materials | |
| Rotary Cap | :Polyamide (PA) |
| Push Cap | :Polycarbonate (PC) |
| Housing | :Aluminum |
| Nuts | :Polyamide (PA) |
| Base | :Polyamide (PA) |
| Connector | :PA , Brass with Tin plating |

Contact Configuration



The Connector for SF39EA module similar JST B6B-PH-K-A
 Applicable Connector:
 Conductor pitch / 2.0mm
 Conductor pitch / 2.0mm
 Conductor width / 0.5mm

Rotation



Numbers of detent : 24
 Pulse / Rotation : 12 pulse / 360°

How to Order

| Module | | | |
|-------------|---|--|--|
| Part No | SF39EA5051A | SF39EB7551A | SF39EB4551B |
| Description | Pure Green LED Silver Housing Black cap(Push) Enter marking Silver rotroy cap | Blue LED Black Housing Black cap(Push) Enter marking Silver rotroy cap | White LED Black Housing Black cap(Push) Enter marking Black rotroy cap |

※ Color is subject to actual product.
 ※ We provide Marking service.