

SF39EA-Z/SF39EB-Z Series

General Specifications

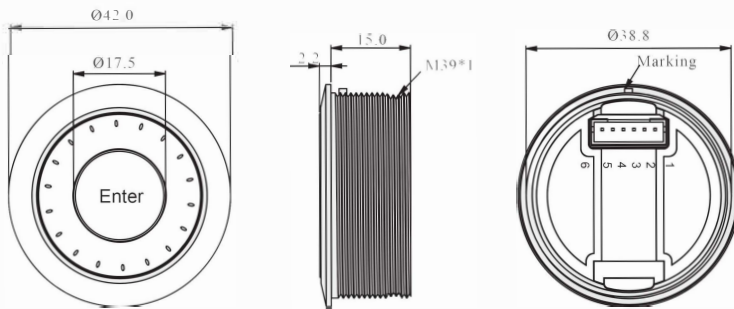
Current Rating	:1 mA
Voltage Rating	:10 VDC
Dielectric Withstanding Voltage	:250VAC for 1 minute
Contact Resistance	:300m Ohm Max.(initial)
Insulation Resistance	:100M Ohm Min.
Operating Force	:Rotation Max. 60gf·cm Push Max. 220gf±50gf
Mechanical Life	:Rotation - Min. 200,000 operations (C.W. 100,000 & C.C.W 100,000) Push - Min. 1,000,000 operations
Operating Frequency	:Rotation - Max. 30 operations per minute Push -Max. 120 operations per minute
Operating Temperature	:0deg.~+40 deg.

Materials

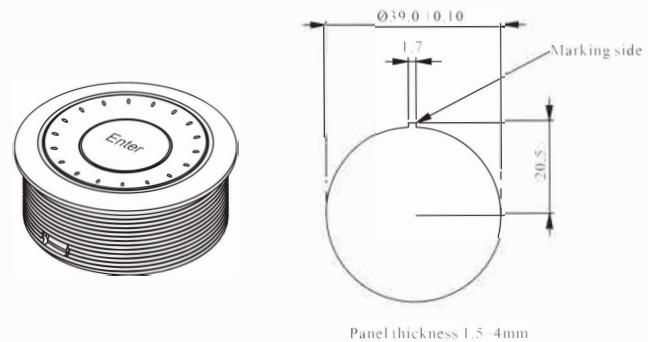
Rotary Cap	:Polyamide (PA)
Push Cap	:Polycarbonate (PC)
Housing	:Aluminum
Nuts	:Polyamide (PA)
Base	:Polyamide (PA)
Connector	:PA, Brass with Tin plating



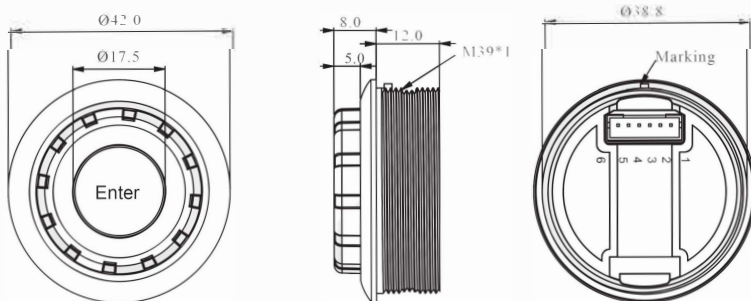
Dimension SF39EA-Z



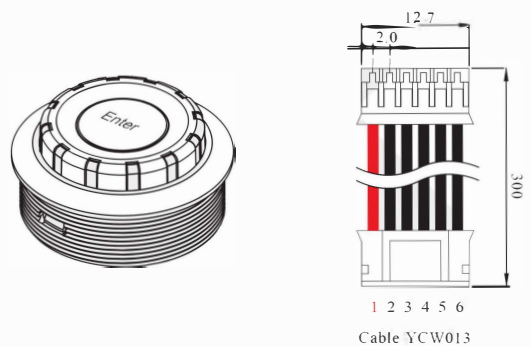
Panel Cutting



Dimension SF39EB-Z



Option



SF39EA-Z/SF39EB-Z Series

General Specifications

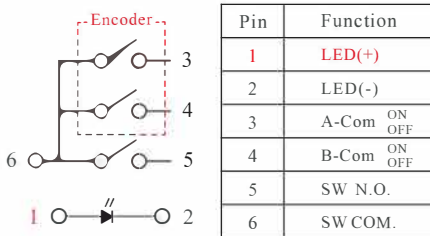
Current Rating	:1 mA
Voltage Rating	:10 VDC
Dielectric Withstanding Voltage	:250VAC for 1 minute
Contact Resistance	:300m Ohm Max.(initial)
Insulation Resistance	:100M Ohm Min.
Operating Force	:Rotation Max. 60gf-cm Push Max. 220gf±50gf
Mechanical Life	:Rotation - Min. 200,000 operations (C.W, 100,000 & C.C.W 100,000) Push - Min. 1,000,000 operations
Operating Frequency	:Rotation - Max. 30 operations per minute Push -Max. 120 operations per minute
Operating Temperature	:0deg.~+40 deg.



Materials

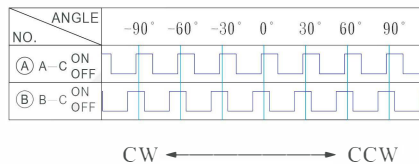
Rotary Cap	:Polyamide (PA)
Push Cap	:Polycarbonate (PC)
Housing	:Aluminum
Nuts	:Polyamide (PA)
Base	:Polyamide (PA)
Connector	:PA , Brass with Tin plating

Contact Configuration



The Connector for SF39EA-Z module similar JST B6B-PH-K-A
 Applicable Connector:
 Conductor pitch / 2.0mm
 Conductor pitch / 2.0mm
 Conductor width / 0.5mm

Rotation



Numbers of detent : 24
 Pulse / Rotation : 12 pulse / 360°

How to Order

Module			
Part No	SF39EA5051A-Z	SF39EB7551A-Z	SF39EB4551B-Z
Description	Pure Green LED Silver Housing Black cap(Push) Enter marking Silver rottray cap	Blue LED Black Housing Black cap(Push) Enter marking Silver rottray cap	White LED Black Housing Black cap(Push) Enter marking Black rottray cap

※ Color is subject to actual product.
 ※ We provide Marking service.