

# SF20EA-Z

## General Specifications

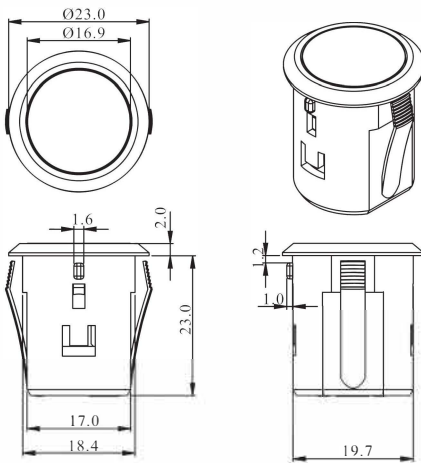
Circuit	:OFF→ON→ON→ON
Current Rating	:1A @ 30VDC
Contact Resistance	:500mOhm Max.(initial)
Insulation Resistance	:100MOhm Min.
Operating Force	:500gf ± 100gf
Total Travel	:1.5mm ± 0.5mm
Mechanical Life	:100,000 cycles Min.
Operating Temperature	:-10 deg.~+60 deg.

## Materials

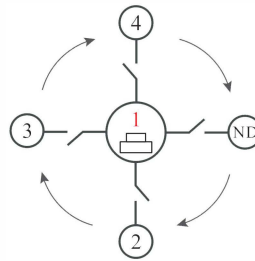
Cap	:Polycarbonate (PC)
Housing	:Polyamide (PA)
SW Reflector	:Polyacetal(POM)
SW Terminal	:Brass with gold plating
SW Spring	:SUS
SW Contact	:Brass with gold plating



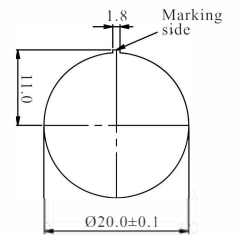
## Dimension / Panel cutting



## Contact Configuration & Panel cutting



Pin	Function
1	COM
2	1-2 N.O.
3	1-3 N.O.
4	1-4 N.O.

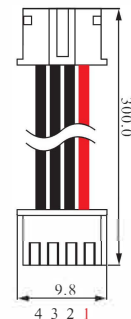


Panel cutting  
Panel thickness 1.5~4mm

## How to order

Module		
Part No	SF20EA551-Z	SF20EA552-Z
Description	Black housing, Black Cap with Marking 1	Black housing, Black Cap with Marking 2

## Option



Cable: YCW016

※ Color is subject to actual product.  
※ We provide Laser Marking service.