

SF19BA-Z JOYSTICK STYLE

General Specifications

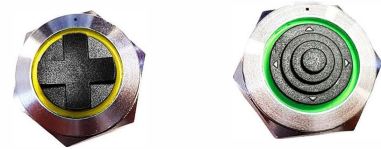
Switch Circuit	: SP5T
Current Rating	: 50mA
Voltage Rating	: 12VDC
Contact Resistance	: 300mΩ Max.
Insulation Resistance	: 100MΩ Min.
Operating Force	: Center Push 650±200gf 4-Direction 250±100gf
Mechanical Life	: 50,000 cycles Min.
Operating Temperature	: -20 deg.C ~ +70 deg.C

Materials

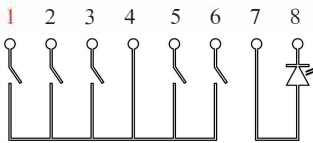
Cap(Type 1, Type 2)	: Polyamide (PA)
Cap(Type 3)	: Polycarbonate (PC)
Reflector	: Silicone
Base	: PCABS
Housing	: SUS
Nuts	: Polyamide (PA)
Washer	: Rubber

Feature

- Panel cutting Ø19mm
- Front Panel IP65
- 5 Key Navigation Switches
- LED Illuminated
- Metal Housing



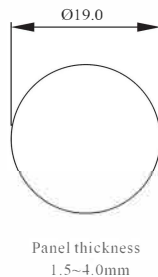
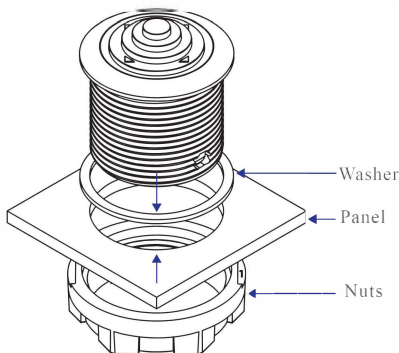
Contact Configuration



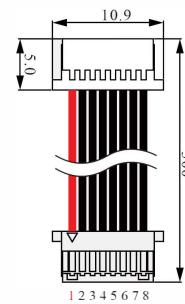
Pin	Function	Pin	Function
1	SW3 N.O.	5	SW4 N.O.
2	SW2 N.O.	6	SW5 N.O.
3	SW1 N.O.	7	LED(+)
4	SW COM.	8	LED(-)

The Connector for SF19BA module similar JST BM08B-SRSS-TB
Applicable Connector:
Conductor pitch / 1.0mm
Conductor width / 0.2mm

Panel cutting & Installation Notes



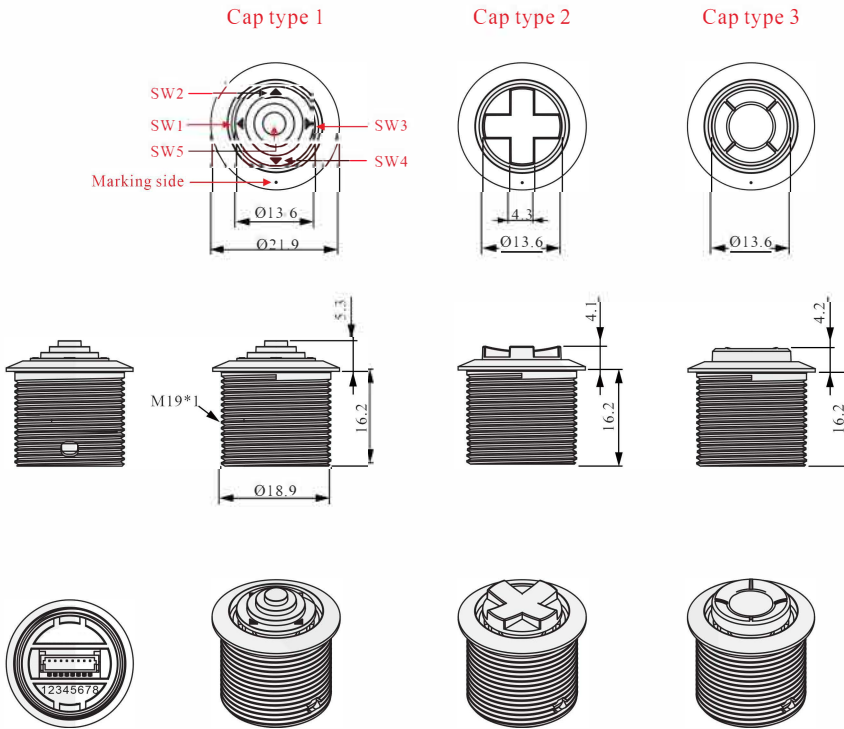
Option



Cable: YCW014

SF19BA-Z JOYSTICK STYLE

Dimension



How to order

Module				
Part No	SF19BA7B11	SF19BA2B11	SF19BA7B12	SF19BA7B13
Description	LED : Without LED Housing : SUS Cap : Black Cap type : Type 1	LED : Yellow Housing : SUS Cap : Black Cap type : Type 1	LED : Blue Housing : SUS Cap : Black Cap type : Type 2	LED : Blue Housing : SUS Cap : Black Cap type : Type 3

※ Color is subject to actual product.
 ※ We provide Laser Marking service.