

General Description

The RJS-SDE-Z is a multi-functional and multi-purpose switch. The RJS-SDE-Z is combination of Rotary encoder, push button function and LCD display screen. The LCD display screen is fully programmable screen in full colour and controlled through SPI-compatible 4-wire series interface.

General Specifications

Display
 Size : 1.22" 3/4 Circle TFT
 Driver IC : ST7789
 Interface Type : SPI (Serial Peripheral Interface)
 Operation Temperature : -10°-60°C
 Power Supply : 3.3V
 Resolution : 240*RGB(H)*204(V) dots
 Display Color : Full Color, 262K(max.)
 Backlight Type : White LED

Encode
 Transmissive Optical Sensor
 Power Supply : 5V
 Output Signal : 2-bit
 Resolution : 40 step per revolution
 Operating Life : C.W. 100,000 & C.C.W 100,000 cycles min.

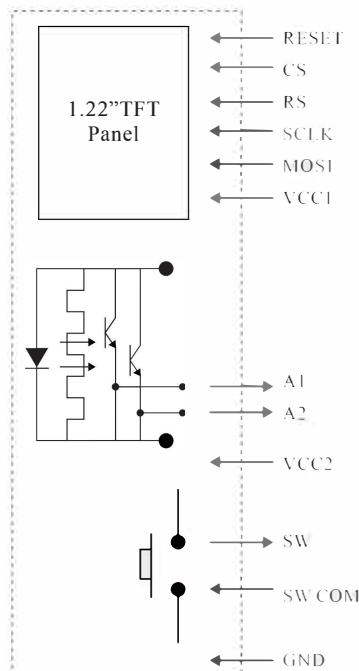
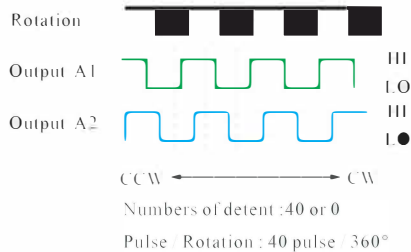
Switch
 Contact Rating : 50mA, 12V DC
 Resolution : 0.5±0.3mm
 Operating Life : 100,000 cycles min.



Block Diagram

| Pin | Name | Function |
|-----|--------|------------------------------------|
| 1 | SW COM | Switch Common |
| 2 | SW | Switch |
| 3 | VCC2 | Rotary Encode Optical Sensor Power |
| 4 | A1 | Rotary Encode Signal, Output |
| 5 | A2 | Rotary Encode Signal, Output |
| 6 | MOSI | LCD Data Signal, Input |
| 7 | SCLK | LCD Clock Signal, Input |
| 8 | RS | LCD Register Select Signal |
| 9 | CS | LCD Chip Select Signal, Input |
| 10 | RESET | LCD Reset Signal, Input |
| 11 | GND | Ground |
| 12 | VCC1 | LCD Power |

Conductor pitch : 1.25mm
 Conductor width : 0.3mm



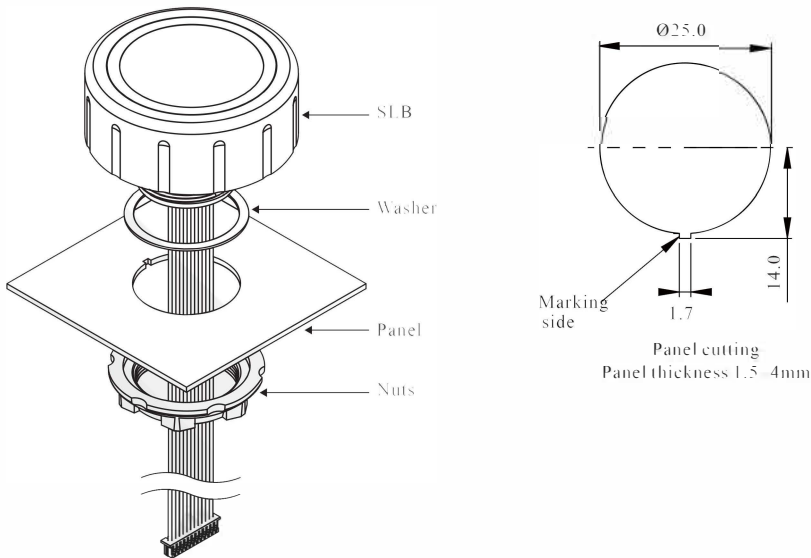
Applications

- Industrial equipment
- Public building
- Machine tool
- Medical equipment
- Robot
- Transportation
- 3C
- High-end Technology
- White goods

Feature

- Panel cutting
 Ø25mm
- IP65
- SPI interface
- Optical Rotary Encoder
- LCD Pushbutton switch

Installation Notes & Panel cutting



How to order

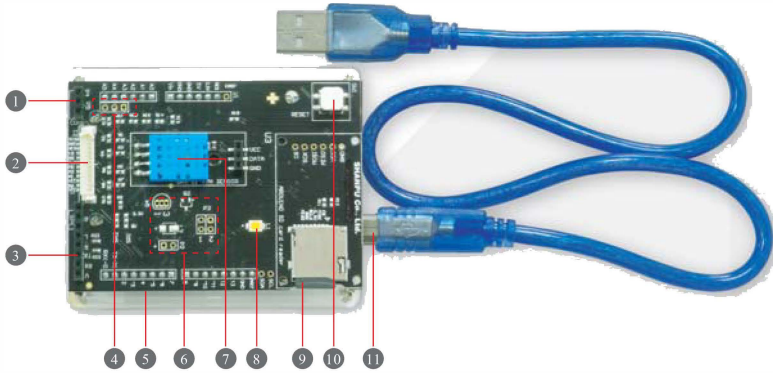
| | | | | | |
|------------|---|--|---|--|---------------------|
| Module | | | | | |
| Dimension | | | | | |
| Den Rotary | Cap Type : 0 Cap material : Aluminum | Cap type : P Cap material : Plastic | Cap type : 1 Cap material : Aluminum | Cap type : 2 Cap material : Plastic | |
| 40 Rotary | Silver | RJS-SDE-Z | RJS-SDE-PL-40-0-Z | RJS-SDE-10-40-0-Z | RJS-SDE-2L-40-0-Z |
| | Black | RJS-SDE-05-40-0-Z | RJS-SDE-P5-40-0-Z RJS- | RJS-SDE-15-40-0-Z | RJS-SDE-25-40-0-Z |
| 0 Den | Silver | RJS-SDE-00-40-0-N-Z | SDE-PL-40-0-N-Z | RJS-SDE-10-40-0-N-Z | RJS-SDE-2L-40-0-N-Z |
| | Black | RJS-SDE-05-40-0-N-Z | RJS-SDE-P5-40-0-N-Z | RJS-SDE-15-40-0-N-Z | RJS-SDE-25-40-0-N-Z |

※ Color is subject to actual product.

General Description

The demo board; Arduino UNO and demo program. Easy to use programme and develop application.

Function

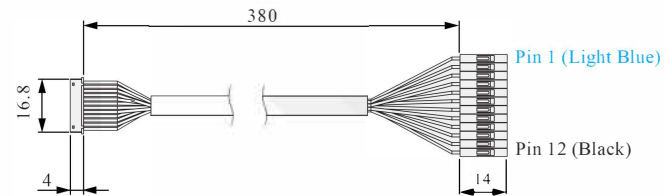


- 1 FN-M16P Mini MP3 Audio Module Speak /Ear Phone Connect *
- 2 RJS-SDE-Z Connect
- 3 FN-M16P Mini MP3 Audio Module Connect * 1
- 4 Extend Control Area
- 5 Arduino UNO R3
- 6 Extend Control Area
- 7 DHT 11 Temperature & Humidity Sensor
- 8 White LED Lamp
- 9 Micro SD Card Reader Slot
- 10 RESET Key /Power Light
- 11 USB type B cable

*Note 1 The FN-M16P is option module. Please reference DFRobot DFPlayer Mini MP3

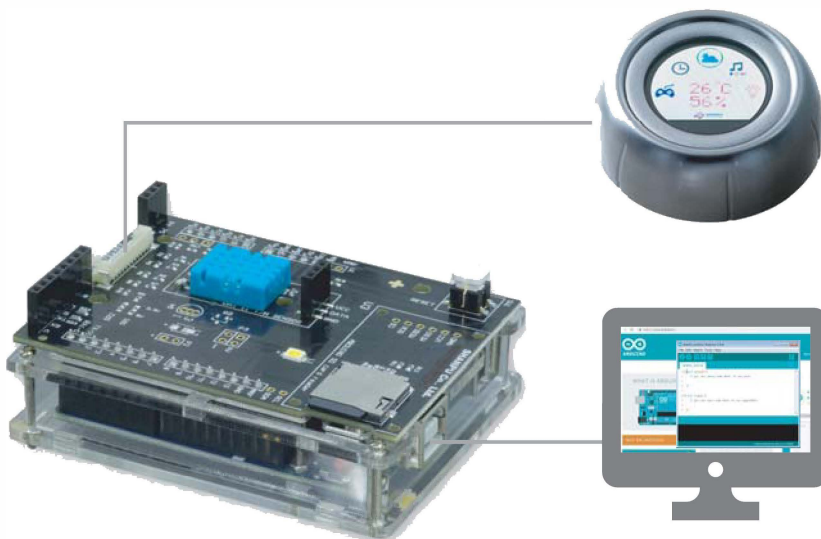
Cable

The RJS-SDE connector to Raspberry Pi, through cable wire.



The Connector

The Connector for Raspberry Pi Pin header 2.54mm



Features

- Outline 80x75x30mm
- Arduino UNO R3
- DHT 11 Temperature & Humidity Sensor
- Micro SD Card Reader
- White LED Lamp
- DEMO Board
- FN-M16P Mini MP3 Audio Module Connect
- FN-M16P Mini MP3 Audio Speak/Ear Phone Connect
- RJS-SDE-Z Connect
- Reset Key Built-in Power Light
- For Arduino Extend Controller
- Built-in Demo program