

General Description

The RJS-SDE is a multi-functional and multi-purpose switch.
The RJS-SDE is combination of Rotary encoder, push button function and LCD display screen. The LCD display screen is fully programmable screen in full colour and controlled through SPI-compatible 4-wire series interface.

General Specifications

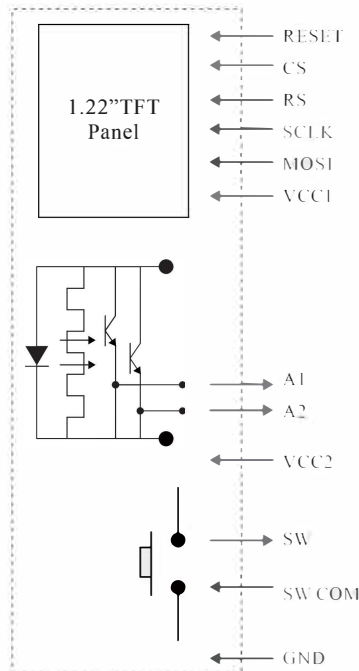
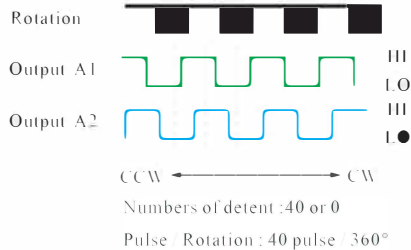
Display	
Size	: 1.22" 3/4 Circle TFT
Driver IC	: ST7789
Interface Type	: SPI (Serial Peripheral Interface)
Operation Temperature	: -10°~60°C
Power Supply	: 3.3V
Resolution	: 240*RGB(H)*204(V) dots
Display Color	: Full Color, 262K(max.)
Backlight Type	: White LED
Encode	
Transmissive Optical Sensor	
Power Supply	: 5V
Output Signal	: 2-bit
Resolution	: 40 step per revolution
Operating Life	: C.W. 100,000 & C.C.W 100,000 cycles min.
Switch	
Contact Rating	: 50mA, 12V DC
Resolution	: 0.5±0.3mm
Operating Life	: 100,000 cycles min.



Block Diagram

Pin	Name	Function
1	SW COM	Switch Common
2	SW	Switch
3	VCC2	Rotary Encode Optical Sensor Power
4	A1	Rotary Encode Signal, Output
5	A2	Rotary Encode Signal, Output
6	MOSI	LCD Data Signal, Input
7	SCLK	LCD Clock Signal, Input
8	RS	LCD Register Select Signal
9	CS	LCD Chip Select Signal, Input
10	RESET	LCD Reset Signal, Input
11	GND	Ground
12	VCC1	LCD Power

Conductor pitch : 1.25mm
Conductor width : 0.3mm



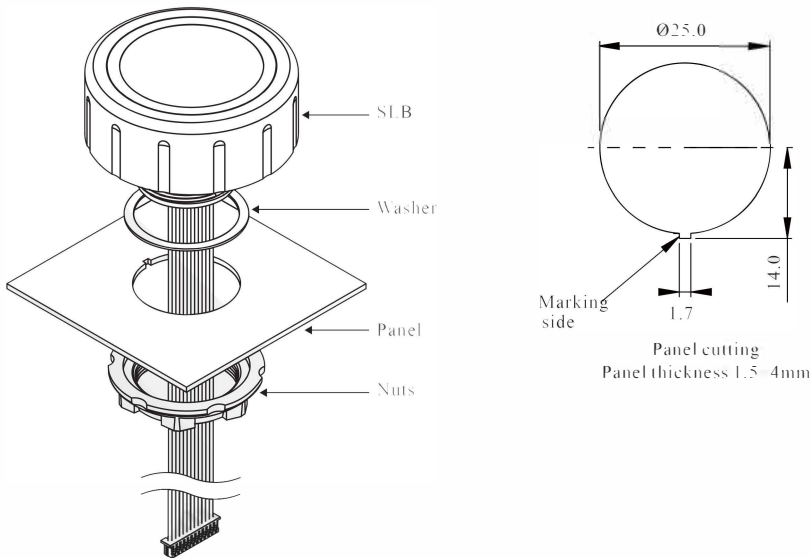
Applications

- Industrial equipment
- Public building
- Machine tool
- Medical equipment
- Robot
- Transportation
- 3C
- High-end Technology
- White goods

Feature

- Panel cutting Ø25mm
- IP65
- SPI interface
- Optical Rotary Encoder
- LCD Pushbutton switch

Installation Notes & Panel cutting



How to order

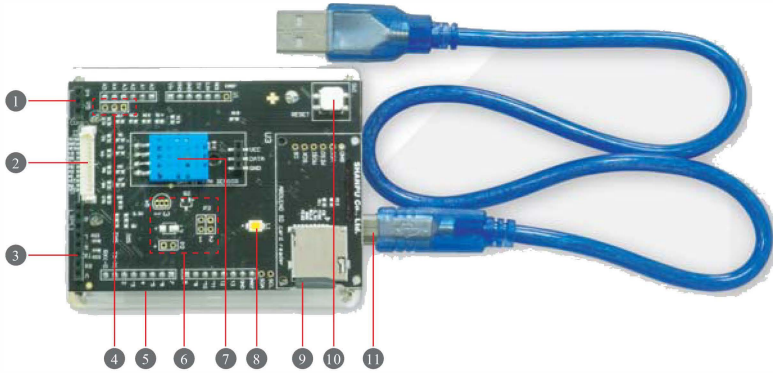
Module				
Dimension				
Dent Rotary	Cap type : 0 Cap material : Aluminum	Cap type : P Cap material : Plastic	Cap type : 1 Cap material : Aluminum	Cap type : 2 Cap material : Plastic
40 Rotary	Silver RJS-SDE	Black RJS-SDE-05-40-0	Silver RJS-SDE-10-40-0	Silver RJS-SDE-2L-40-0
Dent	Silver RJS-SDE-00-40-0-N	Black RJS-SDE-05-40-0-N	Silver RJS-SDE-10-40-0-N	Silver RJS-SDE-2L-40-0-N
	Black RJS-SDE-00-40-0-N	Black RJS-SDE-05-40-0-N	Black RJS-SDE-10-40-0-N	Black RJS-SDE-2L-40-0-N

※ Color is subject to actual product.

General Description

The demo board; Arduino UNO and demo program. Easy to use programme and develop application.

Function

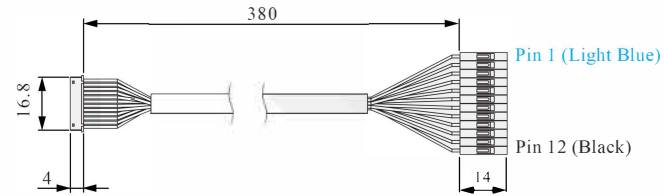


- ① FN-M16P Mini MP3 Audio Module Speak / Ear Phone Connect * 1
- ② RJS-SDE Connect
- ③ FN-M16P Mini MP3 Audio Module Connect * 1
- ④ Extend Control Area
- ⑤ Arduino UNO R3
- ⑥ Extend Control Area
- ⑦ DHT 11 Temperature & Humidity Sensor
- ⑧ White LED Lamp
- ⑨ Micro SD Card Reader Slot
- ⑩ RESET Key / Power Light
- ⑪ USB type B cable

*Note 1 | The FN-M16P is option module. Please reference DFRobot DFPlayer Mini MP3

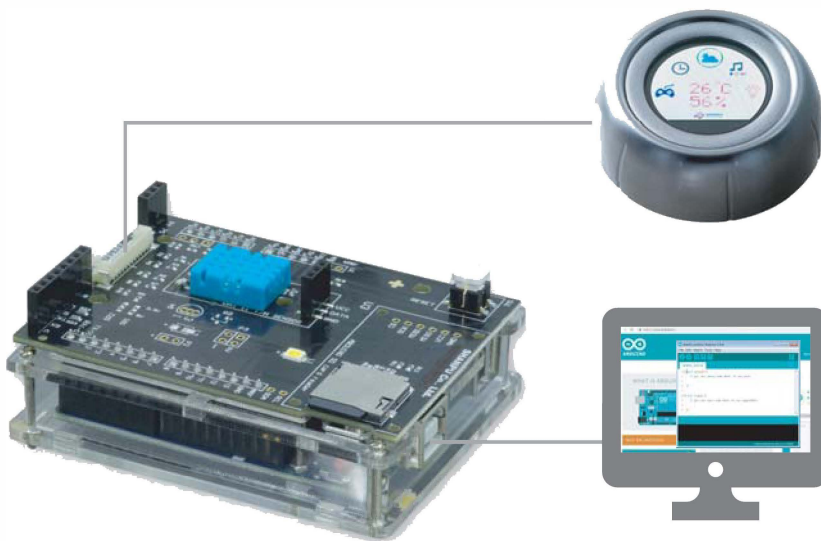
Cable

The RJS-SDE connector to Raspberry Pi, through cable wire.



The Connector

The Connector for Raspberry Pi Pin header 2.54mm



Features

- Outline 80x75x30mm
- Arduino UNO R3
- DHT 11 Temperature & Humidity Sensor
- Micro SD Card Reader
- White LED Lamp
- DEMO Board
- FN-M16P Mini MP3 Audio Module Connect
- FN-M16P Mini MP3 Audio Speak/Ear Phone Connect
- RJS-SDE Connect
- Reset Key Built-in Power Light
- For Arduino Extend Controller
- Built-in Demo program