



Feature -
rotary switch with center push function
bi-color LED illuminated available

Application -
consumer products
audio / video products
instrumentation
communication equipments

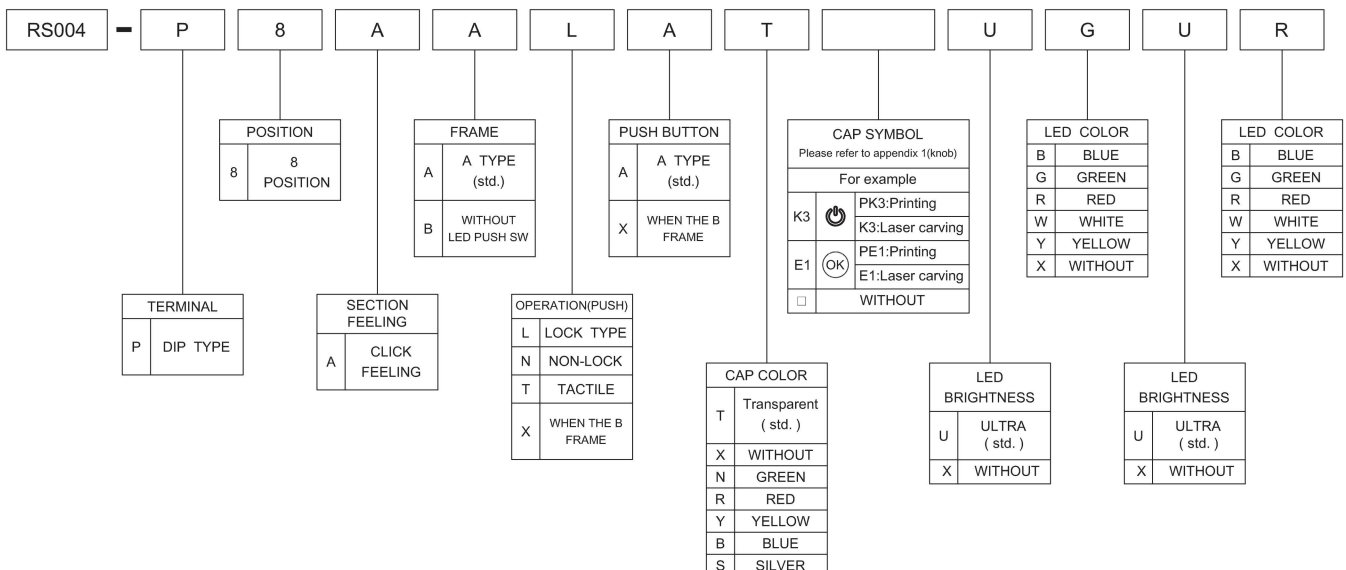
► SPECIFICATIONS

SWITCH SPECIFICATIONS	
POLE - POSITION	ROTARY SWITCH : 1P8T PUSH SWITCH : 1P2T or 2P2T
CONTACT RATING	30 V DC , 0.1A / 5V DC , 0.1mA
CONTACT RESISTANCE	200 mΩ MAX. 5 V DC ; 100 mA by Method of Voltage DROP
INSULATION RESISTANCE	100 MΩ MIN . 500 V DC for 1 minute
DIELECTRIC STRENGTH	Breakdown is not Allowable 100 V AC for 1 Minute
OPERATING FORCE	ROTARY SWITCH : 250 ±100 gf.cm PUSH SWITCH : 250 ±100 gf
OPERATING LIFE	With movement click feeling : 10,000 cycles
OPERATING TEMPERATURE RANGE	-20°C ~ 70°C

LED SPECIFICATIONS		Value / LED Color					
ATTENTION	Unit	Blue	Green	Red	White	Yellow	
		LEDs are Electrostatic Sensitive devices					
FORWARD CURRENT	If	mA	10	20	20	2	20
REVERSE VOLTAGE	Vr	V	5.0	5.0	5.0	5.0	5.0
REVERSE CURRENT	Ir	µA	10	10	10	10	10
FORWARD VOLTAGE	Vf	V	@ 10mA 3.0-4.0	2.1-2.5	2.0-2.5	@ 2mA 2.8-4.0	2.0-2.5
LUMINOUS INTENSITY	Iv	mcd	@ 10mA 200	800	1800	@ 2mA 12	1800

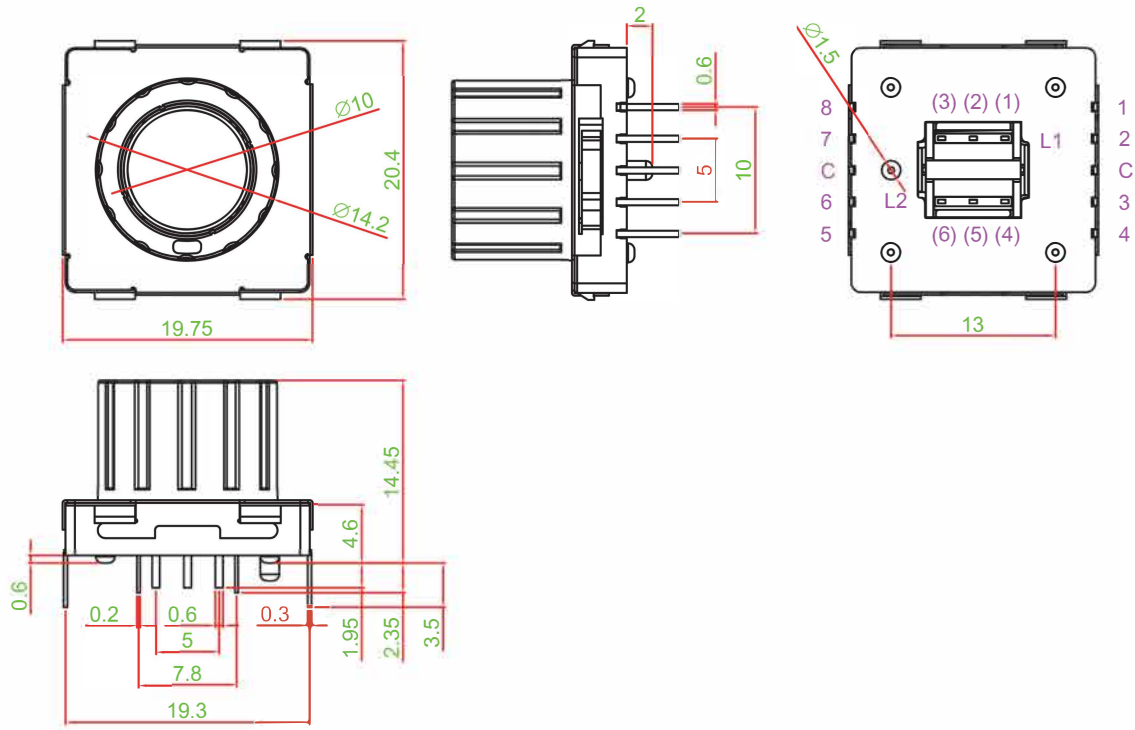
■ Physical and electrical information of LED will be provided upon customer's request on switches .

► HOW TO ORDER

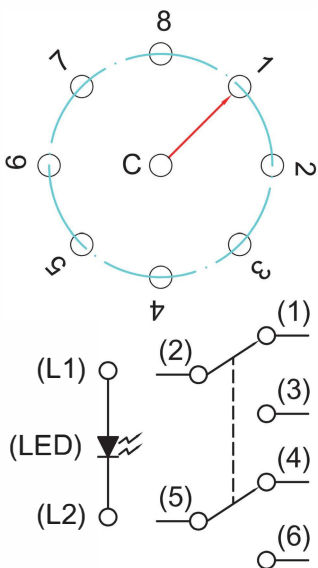


▶ DIMENSION

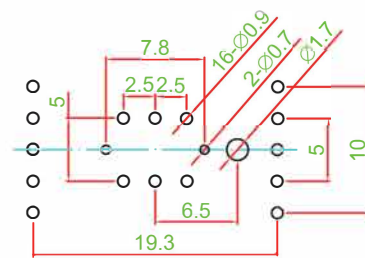
RS004-P8AALAT □ □ □ □



▶ SCHEMATIC



▶ P.C.B. LAYOUT



▶ MATERIAL

- COVER : PC
- FRAME : STAINLESS STEEL
- ACTUATOR : PA + GF
- BASE : PA + GF
- TERMINAL : BRASS ; SILVER PLATING
- MOVING CONTACT : PHOSPHOR BRONZE SILVER PLATING

	0	1	2	3	4	5	6	7	8	9	10	11	12	13	14	15	16	17	18	19	
A	0	1	2	3	4	5	6	7	8	9	10	11	12	13	14	15	16	17	18	19	
B	A	B	C	D	E	F	G	H	I	J	CHS	CHB	CHK	BP	CKEY	CUT	TAKE	REC	ENG	PROG	
C	K	L	M	N	O	P	Q	R	S	T	REPLAY	RET1	RET2	KEY ON	AUTO TAKE						
D	U	V	W	X	Y	Z	POWER	ON/OFF	ON	OFF		NUMBER 1	NUMBER 2	NUMBER 3	NUMBER 4	NUMBER 5	NUMBER 6	NUMBER 7	NUMBER 8	NUMBER 9	
E	OK		Auto	Enter	Start	STOP	OPEN	CLOSE	Exit	Move	NUMBER 1										
F	SET	Reset	Light	Alarm	Menu	Next	Back	Delete	Motor	Save											
G	Up	Down	Right	Left	Test	End	Insert	Lock	Print	+/-											
H	ESC	BC.	HOME	Health	D-LED 2	OC GENIE	VIDEO INPUT	clr CMOS	Green Power	Save OK											
I	B/R +	Unclp Cancel	T/L -	F1	F2	F3	F4	F5	F6	F7											
J	F8	F9	F10	F11	F12	F13	F14	IN 1	IN 2	IN 3											
K	IN 4	IN 5	IN 6																		
L	+	-	x	+	=	↑	→														
M																					
N	↑	→	↑	←	▲	▶	◀	▶	◀	▶											
O	■	■	↔	◆	◆	▶	▶	●													
P							Config.	TIME LINE	ME1	ME2											
Q	ME3	ME4	BGND 3D DVE1	BGND 3D DVE2	BUS COLOR	ME BUTTON LINK	*	INSERT	WIPE												
R	⏮	ALL		VP		COPY		RECORD MODE	↕												
S			MUTE																		
T																					
U																					
V			OC			CLEAR	CROSS WIND	AIRMO TEMP	BARO PRESS	AIR TEMP											
W	BORE-SIGHT	CANT	LEAD	RANGE	MRS	ZERO	TEST	UD	LR												
X	ID	Disp	M/F	CALL		BAND	SERP	MODE	LINE	FUNC											
Y	SHIFT					DEL															
Z			B	RUN	2D	3D	CH1	CH2	CH3	CH4											