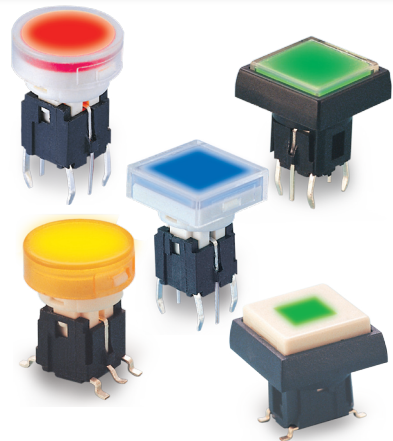


» **Features**

- Miniature & low cost switch with full surface illumination by LED.
- For PC Board Terminals are all IC pitched (multiple of 2.54mm).
- Many LED lights are available.
- Various symbols can be engraved on the cap.
- Any customization for cap & symbol is welcomed.

» **Applications**

- Operating switches in all types of electronic equipment such as audio apparatus, office equipment, communications apparatus, TV sets, VCRs, etc.



» **Specifications**

SERIES	PB617	PB627	PB637	TP647
Rating	50mA 48VDC	10mA 12VDC	50mA 48VDC	50mA 12VDC
Insulation Resistance	100MΩ Min (at 500 VDC)	100MΩ Min (at 500 VDC)	100MΩ Min (at 500 VDC)	100MΩ Min (at 500 VDC)
Dielectric Strength	AC 250V (50/60 Hz for 1 minute)	AC 250V (50/60 Hz for 1 minute)	AC 250V (50/60 Hz for 1 minute)	AC 250V (50/60 Hz for 1 minute)
Contact Resistance	100mΩ Max. (Initial)	500mΩ Max. (Initial)	100mΩ Max. (Initial)	20mΩ Max. (Initial)
Electrically Life	300,000 Cycles Min	100,000 Cycles Min	300,000 Cycles Min	100,000 Cycles Min
Ambient Temperature	-20°C~ +70°C	-20°C~ +70°C	-20°C~ +70°C	-20°C~ +70°C
Total Travel	0.25 ± 0.1mm	1.0 ± 0.2mm	0.6 ± 0.2mm	1.0mm Min
Operating Force	160 ± 50gf	100 ± 40gf	250 ± 50gf	200gf Min
	100 ± 30gf			
	300 ± 100gf			

» **Product selection**

PB [] - [] - [] - []

SPRING MATERIAL	
617	Metal Dome
627	Rubber Dome
637	Metal Dome
647	Low Resistance Rubber Dome

FUNCTION	
Non-LED	
_	Standard type
M	SMT type
LED	
L	Standard type
ML	SMT type

LED BRIGHTNESS	
_	Standard
C	High Brightness

LASER ETCHING	
01	⏻
02	○
03	OK
04	⇒
05	⇐
06	↑
07	↓
08	⊙
09	⦿
10	▲

BUTTON TYPE	
1F	
1	
2	
3F	
11F	
12F	

LED COLOR	
1	Red
2	Yellow
3	Green
4	Blue
5	White
6	Pure Green
8	Amber
9	Blue Green
10	Pink
011	Purple
12	Red/Yellow
13	Red/Green
14	Red/Blue
23	Yellow/Green
48	Blue/Amber
52	White/Yellow
58	White/Amber
-	Non-LED

CAP COLOR	
1	Misty Silver
2	Bright Silver
3	Gold
4	White
5	Bright Black
6	Red
7	Misty Black
8	Sky blue
9	Gunme black
A	Orange

Please inquire about the deals with our sales representative.

» LED Specifications

Color	VR	IF	Recommended Operating Current	VF	
				Nom	Max
Red	DC 5V	20mA	20mA	1.7V	2.4V
Green	DC 5V	20mA	20mA	1.9V	2.4V
Yellow	DC 5V	20mA	20mA	1.9V	2.4V
Blue	DC 5V	20mA	20mA	3.0V	3.6V
White	DC 5V	20mA	20mA	3.0V	3.6V

For the specification about the other LEDs, please contact with sales department

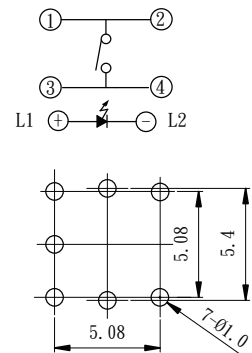
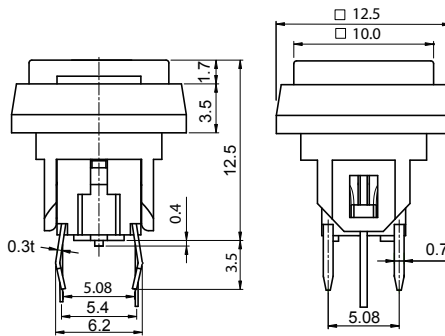
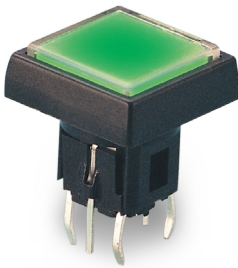
» Operating characteristics

Unit: mm

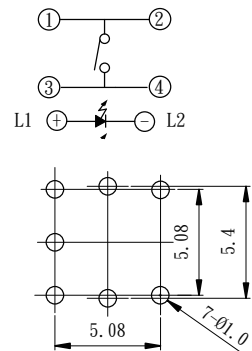
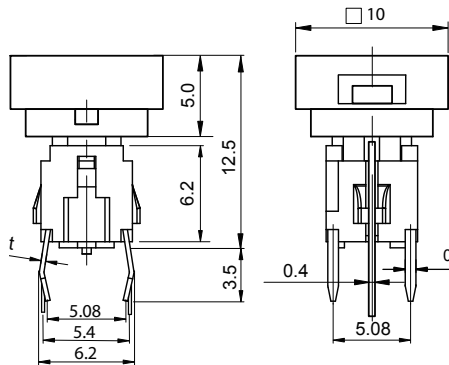
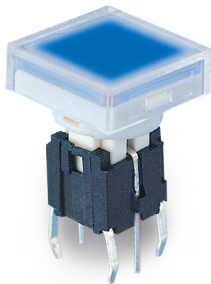
Dimensions

P.C.B Layout

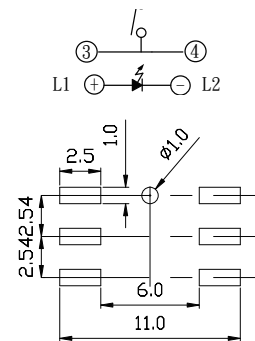
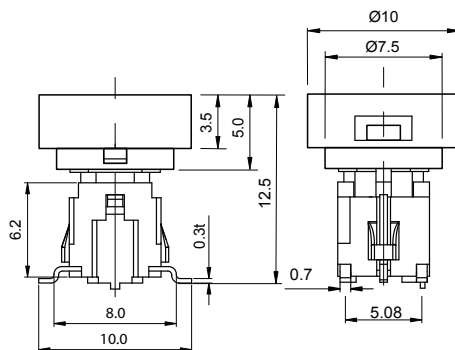
PB6171FL(Metal)
PB6271FL(Rubber)



PB6171L(Metal)
PB6271L(Rubber)



PB6172ML(Metal)
PB6272ML(Rubber)



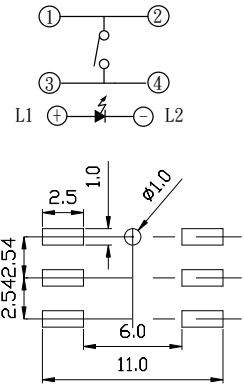
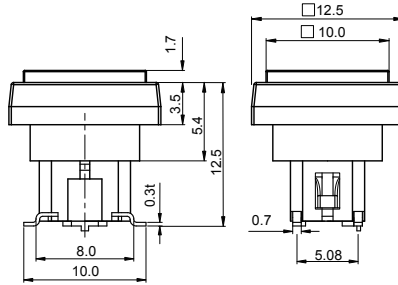
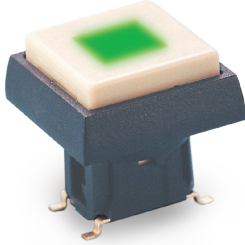
» **Operating characteristics**

Unit: mm

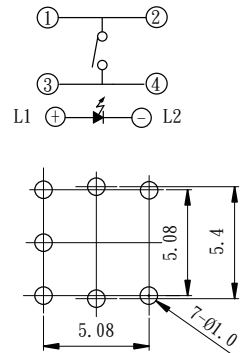
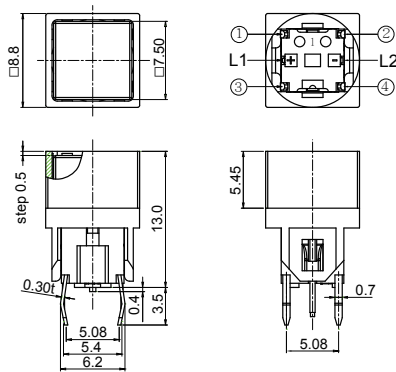
Dimensions

P.C.B Layout

PB6173FM(Metal)
PB6273FM(Rubber)



PB61711FL(Metal)
PB62711FL(Rubber)



PB61712FL(Metal)
PB62712FL(Rubber)

