

PB 617 SERIES ILLUMINATED TACT SWITCHES

» Features

- New design-double layer illuminated TACT switch.
- Several LED colors options.
- Side-actuated with right angle terminal.
- Several cap legends options.

» Applications

- Operating switches in all types of electronic equipment such as audio apparatus, office equipment, communications apparatus, TV sets, VCRs, etc.



» Specifications

Rating	50mA 48VDC
Insulation Resistance	100MΩ Min (at 500 VDC)
Dielectric Strength	AC 250V (50/60 Hz for 1 minute)
Contact Resistance	100mΩ Max. (Initial)
Electrically Life	300,000 Cycles Min
Ambient Temperature	-20°C~ +70°C
Total Trovel	0.25 ± 0.1mm
Operating Force	160 ± 50gf
	100 ± 30gf
	300 ± 100gf

» LED Specifications

Color	VR	IF	Recommended Operating Current	VF	
				Nor	Max
Red	DC 5V	20mA	20mA	1.7V	2.4V
Green	DC 5V	20mA	20mA	1.9V	2.4V
Yellow	DC 5V	20mA	20mA	1.9V	2.4V
Blue	DC 5V	20mA	20mA	3.0V	3.6V
White	DC 5V	20mA	20mA	3.0V	3.6V

For the specification about the other LEDs, please contact with sales department

PB 617 SERIES TACT SWITCHES

ILLUMINATED

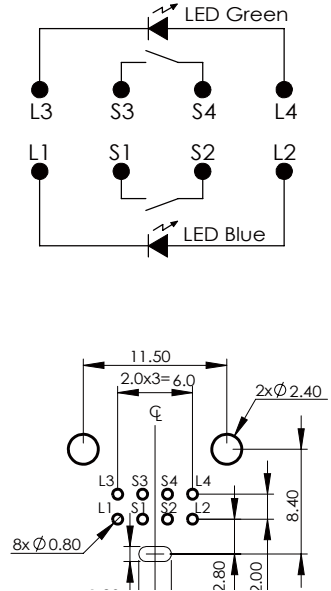
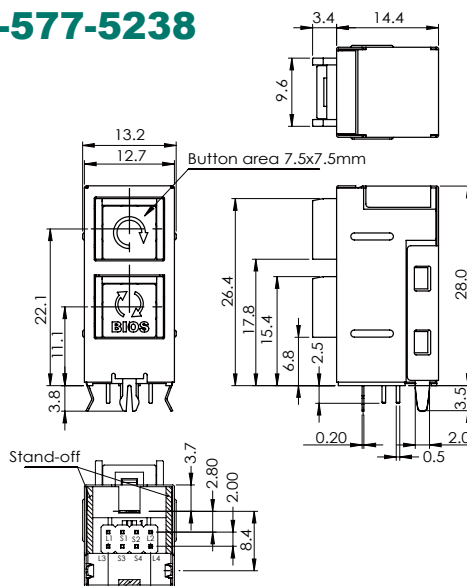
» Operating characteristics

Unit: mm

Dimensions

P.C.B Layout

PB61711RFL-34-577-5238



» Product selection

PB61711RFL -

UPPER	LOWER
LED COLOR	
1	Red
2	Yellow
3	Green
4	Blue
5	White
6	Pure Green
8	Amber
9	Blue Green
10	Pink
011	Purple
12	Red/Yellow
13	Red/Green
14	Red/Blue
23	Yellow/Green
48	Blue/Amber
52	White/Yellow
58	White/Amber
-	Non-LED

UPPER CAP COLOR	
1	Misty Silver
2	Bright Silver
3	Gold
4	White
5	Bright Black
6	Red
7	Misty Black
8	Sky blue
9	Gunmetal black
A	Orange

LOWER CAP COLOR	
1	Misty Silver
2	Bright Silver
3	Gold
4	White
5	Bright Black
6	Red
7	Misty Black
8	Sky blue
9	Gunmetal black
A	Orange

UPPER LASER ETCHING			
01	⏻	06	⬆
02	○	07	⬇
03	OK	08	⊙
04	➡	09	⊙
05	⬅	10	▲

LOWER LASER ETCHING			
01	⏻	06	⬆
02	○	07	⬇
03	OK	08	⊙
04	➡	09	⊙
05	⬅	10	▲

Please inquire about the details with our sales representative.

Please inquire about the details with our sales representative.