

# ML LED Indicator Series

Bright and variable Illumination makes easy planning of multiple design.

Dome type which is easy to recognise Illumination also available.

**30mm square and round type indicator with easy  $\phi$ 25mm hole mounting.**

## ■ FEATURES

- Size and Shape : 30mm square flat type and dome type.  
30mm round flat type and dome type.
- Depth behind panel : Only 29mm
- Illumination : Mono-Color, Dual-Color (simultaneous lighting available)
- LED Color : Hi-Bright LED Super Blue, Super White, Super Green added to Red, Green, Yellow.
- Mounting :  $\phi$ 25mm hole mounting with screwing.
- Terminal : #187 Tab/Solder and Screw provided.
- Protection : Oil and Water-Tight (IP65) type available.



## Specifications

Item	SPECIFICATIONS
Insulation Resistance	More than 100M $\Omega$ at 500V DC
Dielectric Strength	1500V AC RMS between terminals and ground 50/60Hz for 60sec. At normal ambient temperature and humidity
Ambient Temperature	-10 $^{\circ}$ C~40 $^{\circ}$ C
Ambient Humidity	45~85%RH

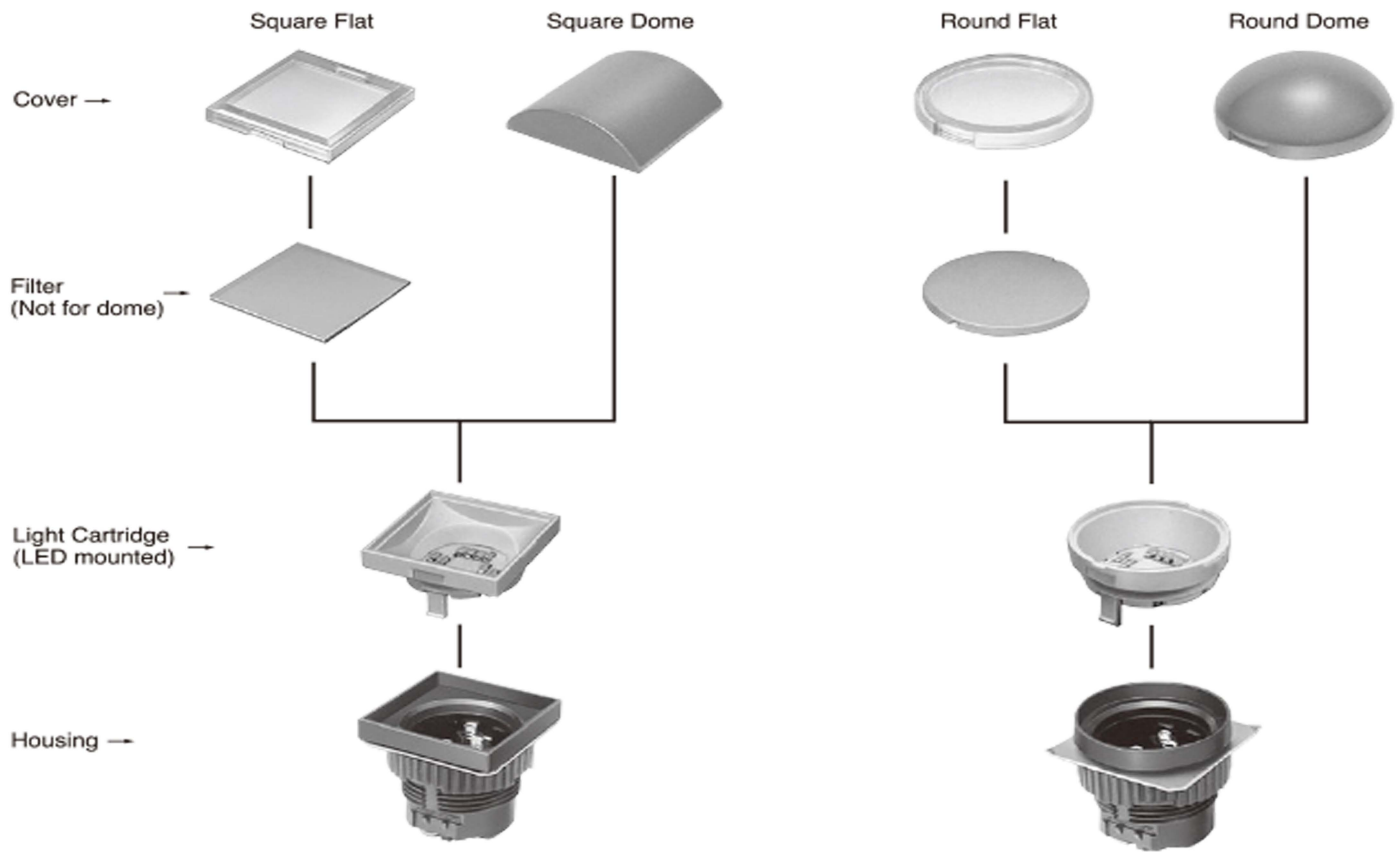
## LED Data

\* R=Red, Y=Yellow, G=Green, SB=Super Blue, SW=Super White, SG=Super Green

DC Supply Voltage (V)	Current Rating (mA)											
	Mono-Color						Dual-Color					
	R	G	OY	SB	SW	SG	R	G	OY	SB	SW	SG
DC12V ( $\pm$ 5%)	12	28	28	22	10	24	12	22	16	9	6	9
DC24V ( $\pm$ 5%)	6	14	14	11	5	12	6	11	8	5	4	5

# ML LED Indicator Series

## Structure



## Dimensions

30mm square	<p><b>Flat type</b></p>			<p>Top View</p>
	<p><b>Dome type</b></p>			<p>Top View</p>

Tolerance :  $\pm 0.4\text{mm}$

# ML LED Indicator Series

## Dimensions

30mm round	Flat type				
	Dome type				

## Internal Connection Arrangements

\* R=Red, Y=Yellow, G=Green, SB=Super Blue, SW=Super White, SG=Super Green

	R, G, Y	SB, SW, SG	Combination of R, G, Y	Combination of R, G, Y and SB, SW, SG
Mono-Color	12V			
	24V			
Dual-Color	12V			
	24V			

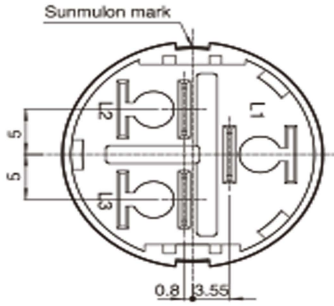
### ● Dual-Color Combination

L1-L2	R	G	OY	SB	SB	SB
L1-L3	G	OY	R	R	G	OY
L1-L2	SW	SW	SW	SG	SG	SG
L1-L3	R	G	OY	R	G	OY

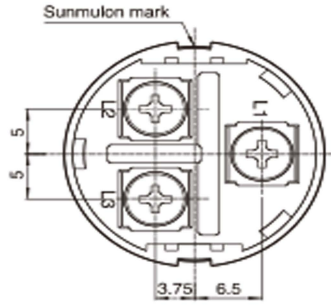
# ML LED Indicator Series

## Terminals

### ● TERMINAL LAYOUT



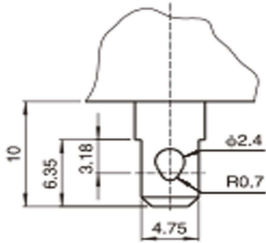
#187 Tab/solder terminal



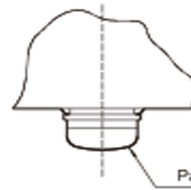
Screw terminal

Terminal No.	Mono-Color	Dual-Color
L1	Anode(+)	Anode(+)
L2	Cathode(-)	Cathode(-)
L3		Cathode(-)

### ● TERMINAL SHAPE



#187 Tab/solder terminal



Screw terminal

## Panel Layout / Panel Cut Dimensions

Panel thickness: 1~ 6mm

	Panel Layout	Panel Cut Dimensions
Square Flat		
Square Dome		
Round Flat		
Round Dome		

n : number of unit (horizontal) m : number of unit (vertical)  
 \*Panel Cut Dimension should be after panel paintings.

Tolerance :  $\pm 0.4\text{mm}$

# ML LED Indicator Series

## Mounting Tool

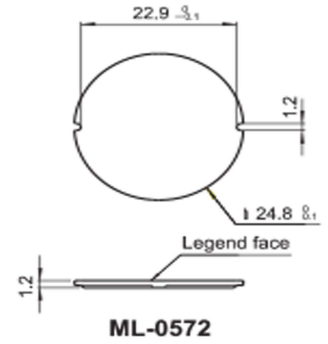
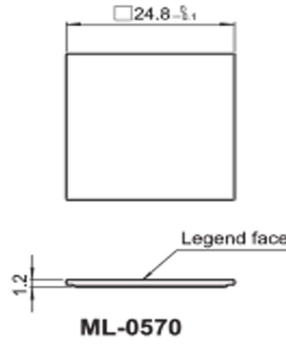
### ● Mounting Tool

Part No. : ML-0610

Recommended tool for mounting unit on panel.



## Filter Dimensions



## Replacement Parts

### ● COVER

Color	Clear	Red	Green	Orange Yellow	Yellow	Blue	Milk White
Item							
Square Flat	ML-0566-CC						
Square Dome		ML-0568-LR	ML-0568-LG	ML-0568-LO	ML-0568-LY	ML-0568-LB	ML-0568-LM
Round Flat	ML-0567-CC						
Round Dome		ML-0569-LR	ML-0569-LG	ML-0569-LO	ML-0569-LY	ML-0569-LB	ML-0569-LM

### ● FILTER

Color	Red	Green	Orange Yellow	Yellow	Blue	Milk White
Item						
Square	ML-0570-LR	ML-0570-LG	ML-0570-LO	ML-0570-LY	ML-0570-LB	ML-0570-LM
Round	ML-0572-LR	ML-0572-LG	ML-0572-LO	ML-0572-LY	ML-0572-LB	ML-0572-LM

## Accessories

### Terminal cover



PART No. ML-1561

\* For screw terminals

### Shade hood

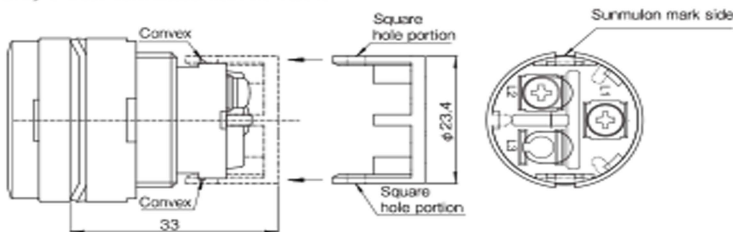


Shape	Part No.
Square	ML-1568
Round	ML-1567

\* A piece of rubber packing is set inside.

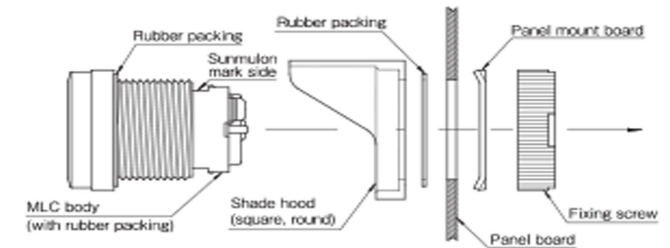
### ● Installing the terminal cover

\* Only screw terminals can be used

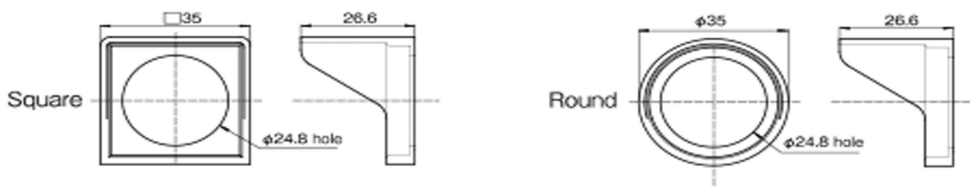


### ● Installing the shade hood (square and round)

\* With water resistant structure (Otherwise rubber packing is not required)



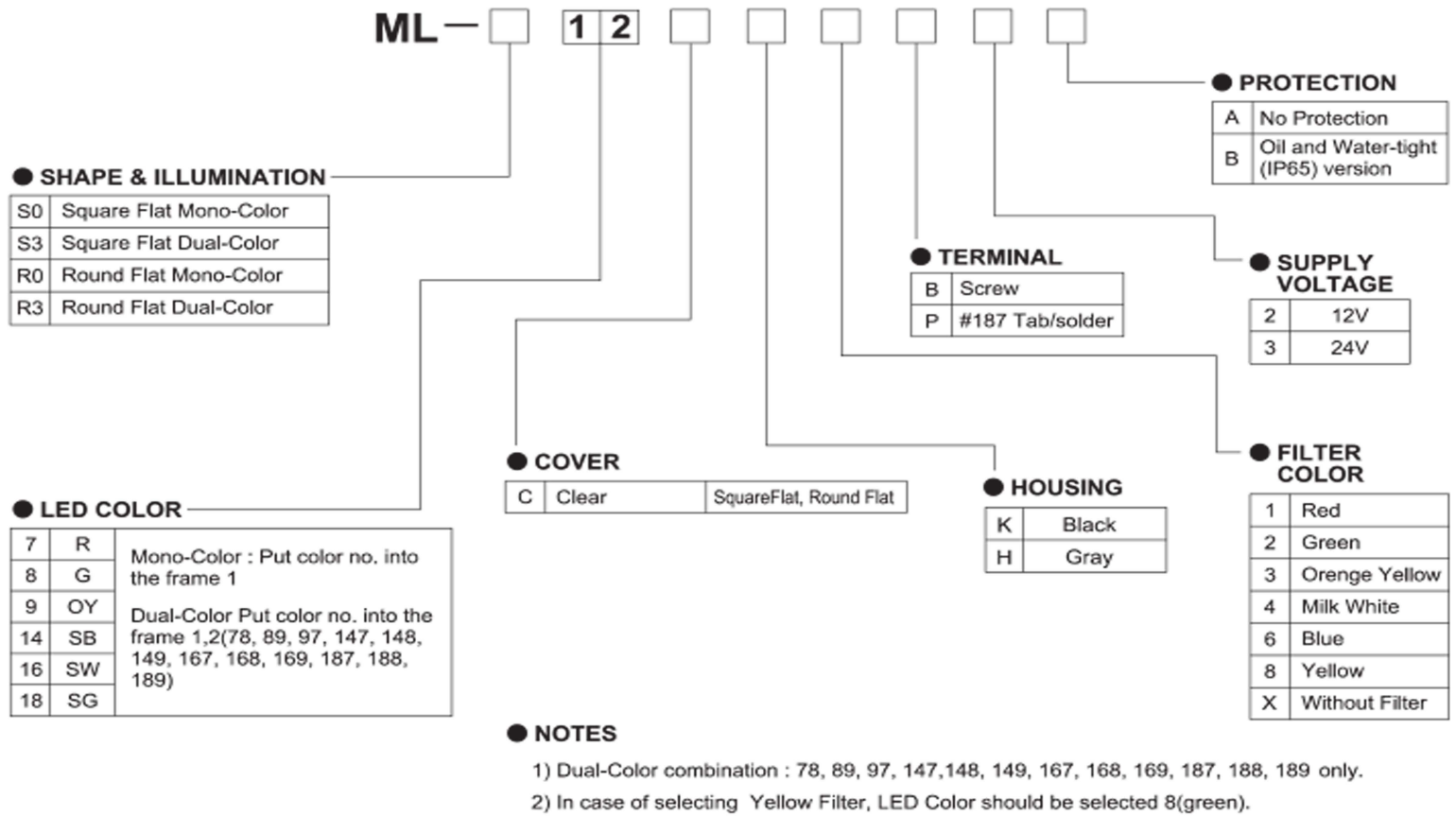
### ● Shade hood dimensions



Tolerance : ±0.4mm

# ML LED Indicator Series

## Ordering Code (Flat Type)



## Ordering Code (Dome Type)

