

D COMPACT ENCLOSED SWITCH

Features

- High precision and long life.
- Suitable for applications demanding higher mechanical strength,
- Gasket diaphragm seal provides high environmental resistance.



Specifications

Item	Standard
Rating	10A, 125V or 250VAC
Contact Resistance	25mΩ max. (initial)
Insulation Resistance	100MΩ min. (at 500VDC)
Dielectric Strength	1,000VAC, 50/60Hz for 1 minute
Service Life Mechanically:	1,000,000 operations min.
Service Life Electrically	100,000 operations min.

Product Selection

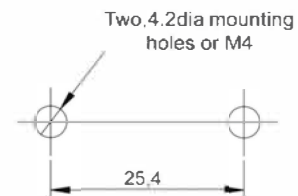
D

1

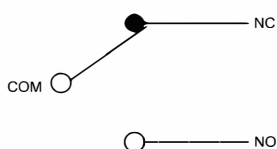
1. HEAD AND ACTUATOR

- 5000: Push plunger type
- 5020: Roller plunger type
- 5040: Cross Roller plunger type
- 1000: Lever type
- 1020: Short Lever type
- 2000: Lever roller type
- 2020: Short Lever roller type

Mounting Hole



Contact Configuration



D COMPACT ENCLOSED SWITCH

Operating Characteristics

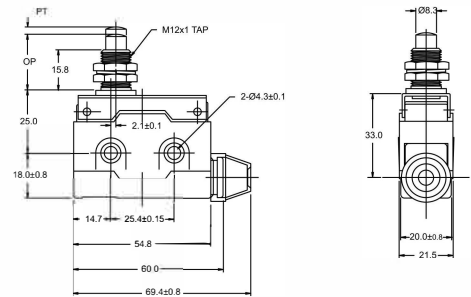
Unit: mm

Item Operating Characteristics Dimensions

D5000



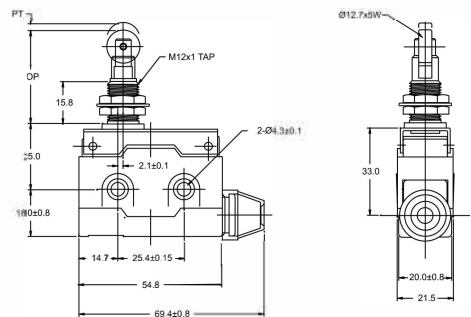
OF max.	600g
RF min.	100g
PT max.	1.6 mm
OT min.	5 mm
MD max.	0.2 mm
OP	21.8 ± 1.2 mm
FP	--



D5020



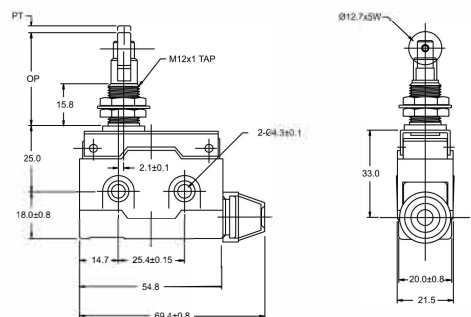
OF max.	600g
RF min.	100g
PT max.	1.6 mm
OT min.	5 mm
MD max.	0.2 mm
OP	33.35 ± 1.2 mm
FP	--



D5040



OF max.	600g
RF min.	100g
PT max.	1.6 mm
OT min.	5 mm
MD max.	0.2 mm
OP	33.35 ± 1.2 mm
FP	--



D COMPACT ENCLOSED SWITCH

Operating Characteristics

Unit: mm

Item	Operating Characteristics	Dimensions
D1020		



OF max.	260g
RF min.	35g
PT max.	7 mm
OT min.	2.5 mm
MD max.	1.7 mm
OP	25 ± 1 mm
FP	32 mm

