



27×25×31.5(+21)

Features

- Low profile.
- Insert mounting.
- Suitable for automation system and automobile auxiliary etc.

Contact Data

Contact Arrangement	1A(SPSTNO)		
Contact material	AgCdO		
Contact Rating (resistive)	15A/14VDC		
Max. Switching Power	210W		
Max. Switching voltage	75VDC	Max. Switching Current :15A	
Contact resistance or Voltage drop	≤100mΩ	Item 3.12 of IEC 60255-7	
Operation life	Electrical	10 ⁵	Item 3.30 of IEC 60255-7
	Mechanical	10 ⁷	Item 3.31 of IEC 60255-7

Coil Parameter

Dash numbers	Coil voltage VDC		Coil resistance Ω ± 10%	Pick up voltage VDC(max) (58%of rated voltage)	Release voltage VDC(min) (5% of rated voltage)	Coil power consumption W	Operate Time ms	Release Time ms
	Rated	Max.						
012-4100	12	16	35	7.8	0.6	4.1	≤10	≤10

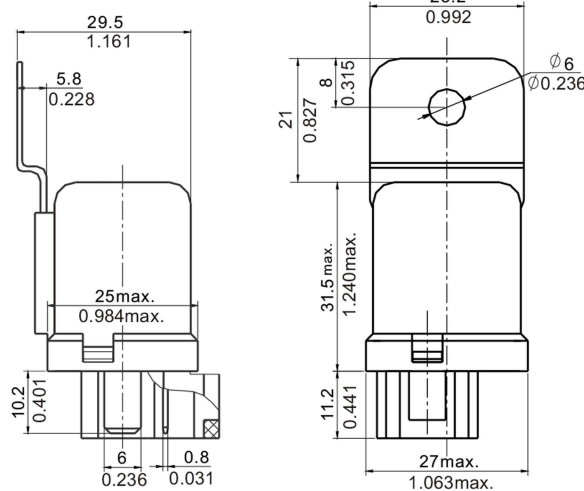
CAUTION: 1.The use of any coil voltage less than the rated coil voltage will compromise the operation of the relay.
2.Pickup and release voltage are for test purposes only and are not to be used as design criteria.

Operation condition

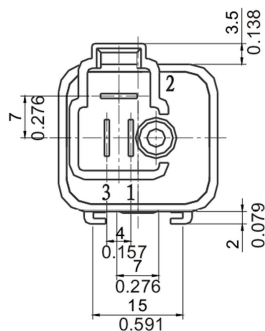
Insulation Resistance	100M Ω min (at 500VDC)	Item 7 of IEC 60255-5
Dielectric Strength Between contacts Between contact and coil	50Hz 500V 50Hz 500V	Item 6 of IEC 60255-5 Item 6 of IEC 60255-5
Shock Resistance	100m/s ² 11ms	IEC68-2-27 test Ea
Vibration Resistance	10Hz~55Hz double amplitude 1.5mm	IEC68-2-6 test Fc
Terminals strength	10N	IEC68-2-21 test Ua1
Ambient Temperature	-40 $^{\circ}$ C~125 $^{\circ}$ C	
Relative Humidity	95% (45 $^{\circ}$ C)	IEC68-2-3 test Ca
Mass	35g	

Dimensions

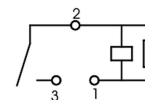
mm /inch



Dimensions



Mounting (Bottom view)



Wiring diagram (Bottom view)

NOTES 1).Dimensions are in millimeters.
2).Inch equivalents are given for general information only.