



Soft or Tactile SPST LED Switch

- ▶ Through hole or panel mount style
- ▶ LED illuminated switch
- ▶ Momentary or latching function
- ▶ Single bi-colour or RGB illumination
- ▶ Clear flat caps as standard
- ▶ Cap sizes range from 11.8mm² square to 11.8mm x 16.9mm

Full technical specifications available upon request*
(2D Drawings, 3D files*, Mechanical & Electrical specifications)
*Contact sales@rjselectronics.com / +44 (0) 1234 213600

SKU: N/A

Categories: [RGB Switches](#), [RGB PCB Push Button Switches](#), [RGB Panel Mount Plastic Switches](#), [PCB Switches](#), [LED Pushbutton Switches](#)



Configuration

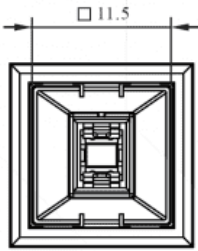
1NO1NC (SPDT), 2NO2NC (DPDT)

Product Function

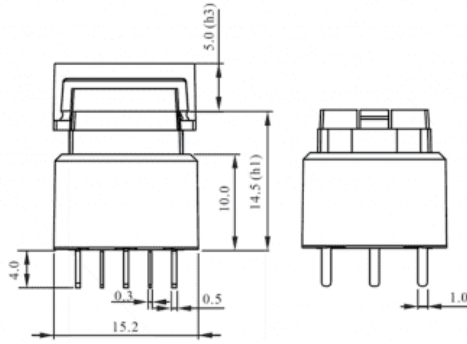
Momentary Switch, Latching (Alternate) Switch

Dimensions (measurements in mm unless specified otherwise)

Top View



Side View



Suggested Panel Cut-out

