

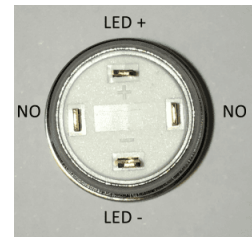
Available in RGB LED! Ask for more information

Full technical specifications available upon request\*  
(2D Drawings, 3D files\*, Mechanical & Electrical specifications)  
\*Contact [sales@rjselectronics.com](mailto:sales@rjselectronics.com) / +44 (0) 1234 213600



**SKU:** N/A

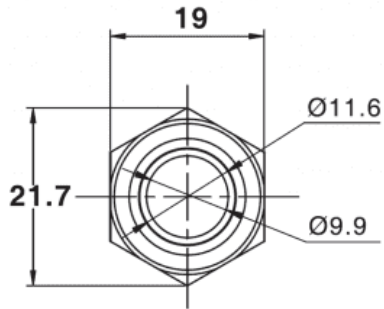
**Categories:** [Metal Switches](#), [16mm](#), [RGB Switches](#), [RGB Panel Mount Metal Switches](#), [Panel Mount Switches](#), [LED Illuminated Switches](#)



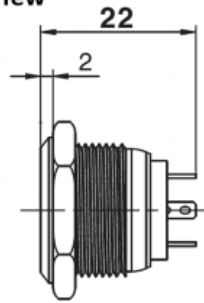
<b>Product Type</b>	Push Button
<b>Product Function</b>	Momentary Switch, LED Indicator
<b>IP Rating</b>	IP67 (front)
<b>Cutout</b>	16mm
<b>Cap/Actuator Shape</b>	Round
<b>Configuration</b>	1NO (SPST) [push to make]
<b>Illumination</b>	Ring
<b>Colour / Material</b>	Black (Anodised Aluminium), Brushed Steel
<b>Single LED options</b>	Red, Green, Blue, Orange (Amber), Yellow, White
<b>Multi-Colour LED Options</b>	(RGB) Red/Green/Blue, (RB) Red/Blue, (RG) Red/Green
<b>Terminal Options</b>	Solder Lug Terminals

## Dimensions (measurements in mm unless specified otherwise)

Top View



Side View



Suggested Panel Cut-out

