



#### Low Profile Broadcast Style LED Switch

- ▶ Low profile Broadcast switch SMD or through hole with tactile feedback
- ▶ Available with 15, 17.4mm or 22mm (round) Broadcast style caps
- ▶ Single, bi-colour or RGB illumination

Full technical specifications available upon request\*

(2D Drawings, 3D files\*, Mechanical & Electrical specifications)

\*Contact [sales@rjselectronics.com](mailto:sales@rjselectronics.com) / +44 (0) 1234 213600

**SKU:** N/A

**Categories:** [RGB Switches](#), [RGB PCB Tact Switches](#), [PCB Switches](#), [LED Tactile Switches](#)



#### Single LED options

Without LED, Red, Green, Blue, Yellow, White

#### Illumination

No Illumination, Power, Full Illumination, Custom Symbol

#### Configuration

1NO (SPST) [push to make]

#### Terminal Options

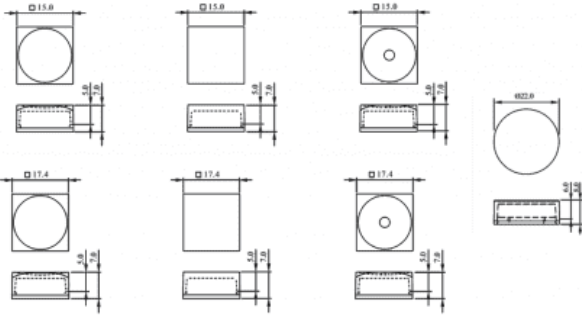
PCB Terminals (SMT), PCB Terminals (THT)

#### Orientation

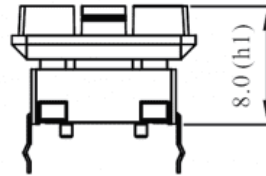
Straight (Vertical)

## Dimensions (measurements in mm unless specified otherwise)

### Top View



### Side View



### PCB Layout

